

### Features

- Two-handle gooseneck bathroom sink faucet
- 3-11/16" (94 mm) gooseneck spout with rosespray
- 7-5/16" (186 mm) wall-to-spout outlet
- 1.2 gpm (4.5 lpm) maximum flow rate
- Lever handles with red/blue indexing (ADA-compliant with correct installation)
- Optional decorative handle covers
- KOHLER® ceramic disc valves exceed industry longevity standards for a lifetime of durable performance
- Less drain
- Adjustable flanges
- External NPT connections
- Complies with the Safe Drinking Water Act (SDWA)

### Material

- Brass

### Installation

- 3" vertical wall-mount installation
- Pairs with the Brockway wall-mounted wash sink

### Recommended Products/Accessories

- K-3200 36" wall-mount utility sink
- K-3202 48" wall-mount utility sink
- K-3203 60" wall-mount utility sink
- K-23723 Faucet cleaner



**ADA** **CSA B651** **OBC**

### Codes/Standards

ASME A112.18.1/CSA B125.1  
NSF/ANSI/CAN 61  
NSF/ANSI/CAN 372  
All applicable US Federal and State material regulations  
DOE - Energy Policy Act 1992  
EPA WaterSense®  
California Energy Commission (CEC)  
ADA  
ICC/ANSI A117.1  
CSA B651  
OBC  
IAPMO Certification



### KOHLER® One-Year Limited Warranty

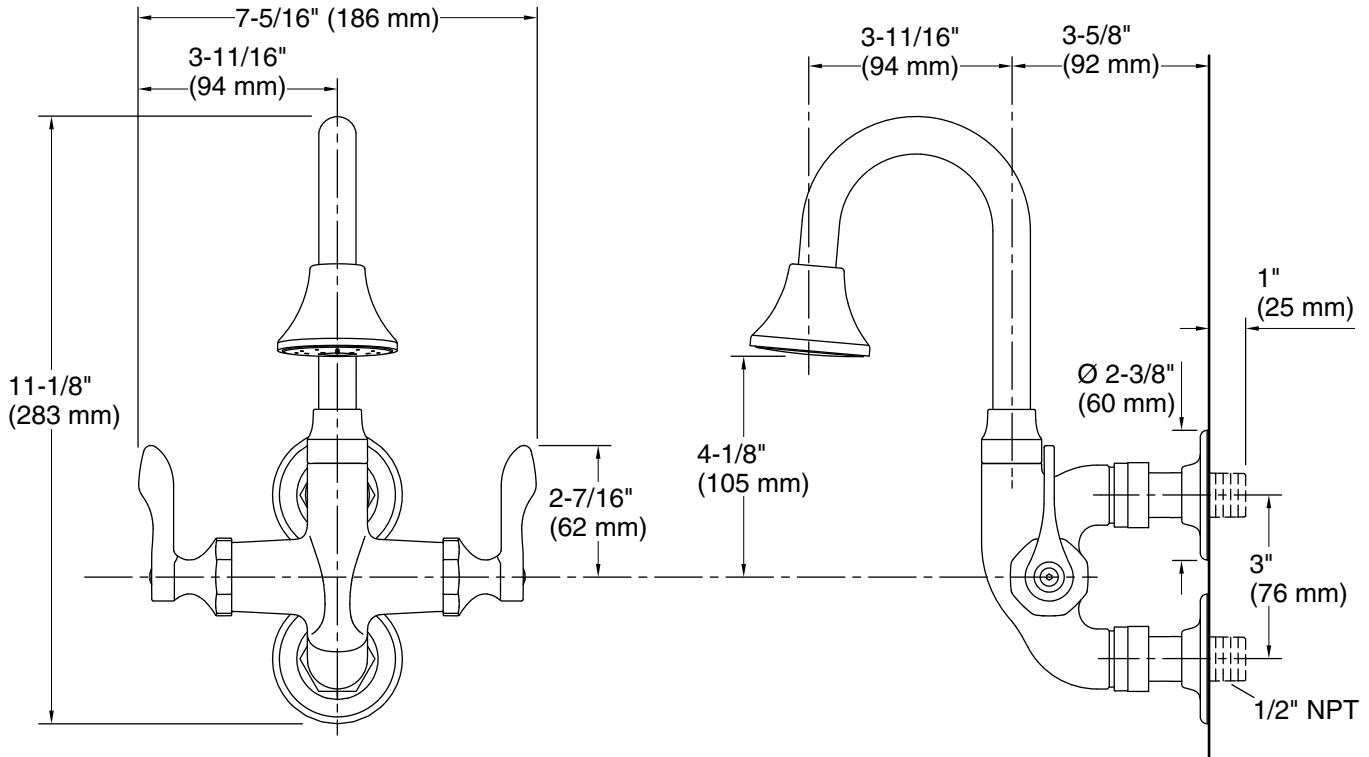
See website for detailed warranty information.

### Available Colors/Finishes

*Color tiles intended for reference only.*

#### Color Code Description

	CP	Polished Chrome
	SR	Vibrant Bright Nickel



**Technical Information**

All product dimensions are nominal.

**Faucet:**

Flow rate: 1.2 gal/min (4.5 l/min)

Drain included: No

**Spout:**

Spout reach: 3-11/16" (93 mm)

**Handshower:**

Rated maximum flow: 0 gal/min (0 l/min)

**Notes**

Install this product according to the installation instructions.

ADA compliant for handles only.

ADA, OBC, CSA B651 compliant when installed to the specific requirements of these regulations.