

Features

- Quarter-turn washerless ceramic disc valves
- Variety of handle style options
- 12" (305 mm) rigid connections
- 5-1/4" (133 mm) gooseneck spout
- Less drain
- 2.2 gpm (8.3 lpm) maximum flow rate at 60 psi (4.14 bar)

Material

- Brass
- Brass valve bodies

Required Products/Accessories

[K-16012-3](#) Cross Handles for Widespread Base Faucet

Recommended Products/Accessories

K-23723 Faucet cleaner

Optional Products/Accessories

1160594 .35 gpm Aerator, Large



Codes/Standards

ASME A112.18.1/CSA B125.1

NSF/ANSI/CAN 61

NSF/ANSI/CAN 372

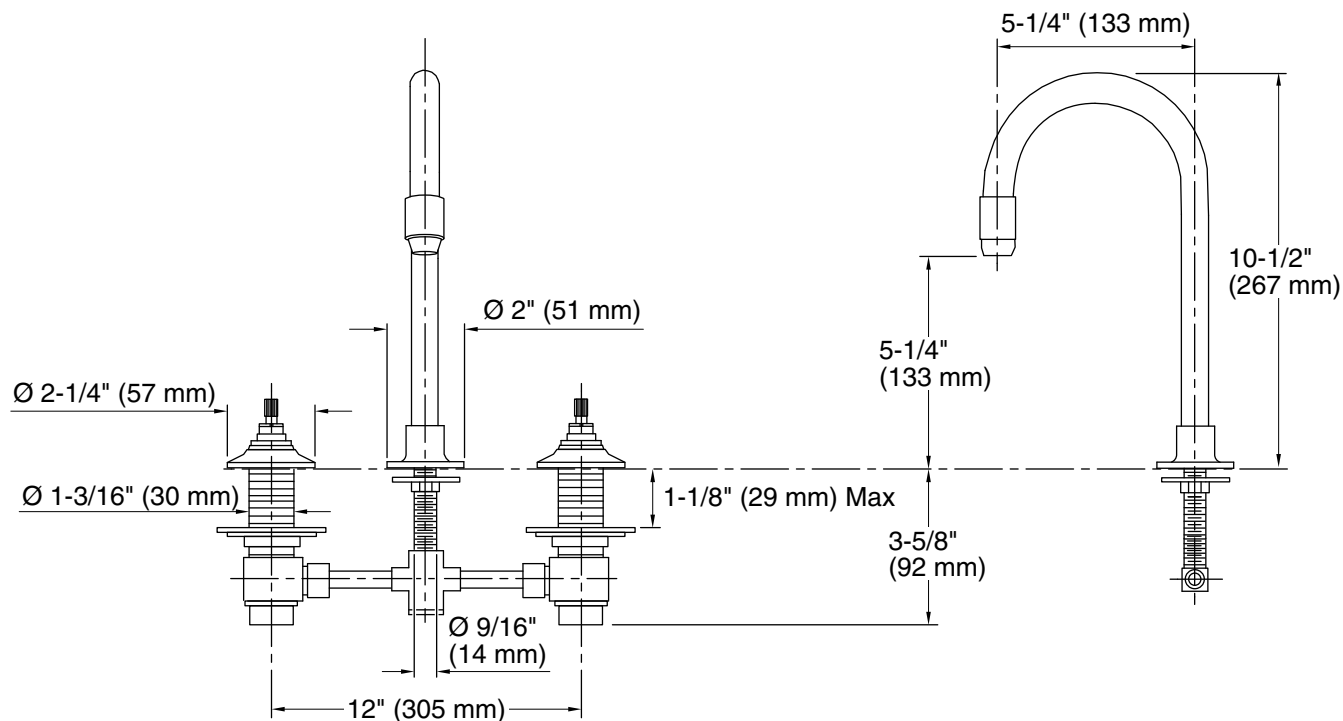
All applicable US Federal and State material regulations

DOE - Energy Policy Act 1992

IAPMO Certification

KOHLER® One-Year Limited Warranty

See website for detailed warranty information.



Technical Information

All product dimensions are nominal.

Faucet:

Flow rate: 2.2 gal/min (8.3 l/min)

Drain included: No

Spout:

Spout reach: 5-1/4" (133 mm)

Notes

Install this product according to the installation guide.