

KOHLER® Faucets

Tower single-handle bathroom sink faucet with Lever handle, 8.3 lpm
K-73170T-4

Features

- Single lever handle allows for both volume and temperature control
- Red/blue indexing
- 7-1/8" (181 mm) spout reach
- 10-13/16" (275 mm) faucet height
- Tall height is ideal for vessel-style sinks
- Laminar flow delivers a graceful stream of water
- 2.2 gpm (8.3 lpm) maximum flow rate at 45 psi (3.1 bar)
- Includes clicker drain with 1-1/4" (32 mm) metal tailpiece
- KOHLER® ceramic disc valves exceed industry longevity standards for a lifetime of durable performance
- Coordinates with Composed faucets, accessories, and showering components to complete your bathroom

Material

- KOHLER® finishes resist corrosion and tarnishing
- Premium metal construction for durability and reliability

Installation

- Deck-mount
- For single-hole installation
- Preattached flexible supply lines simplify installation



Codes/Standards

Plumbing Standards
GB 18145

See website for detailed warranty information.

Available Colors/Finishes

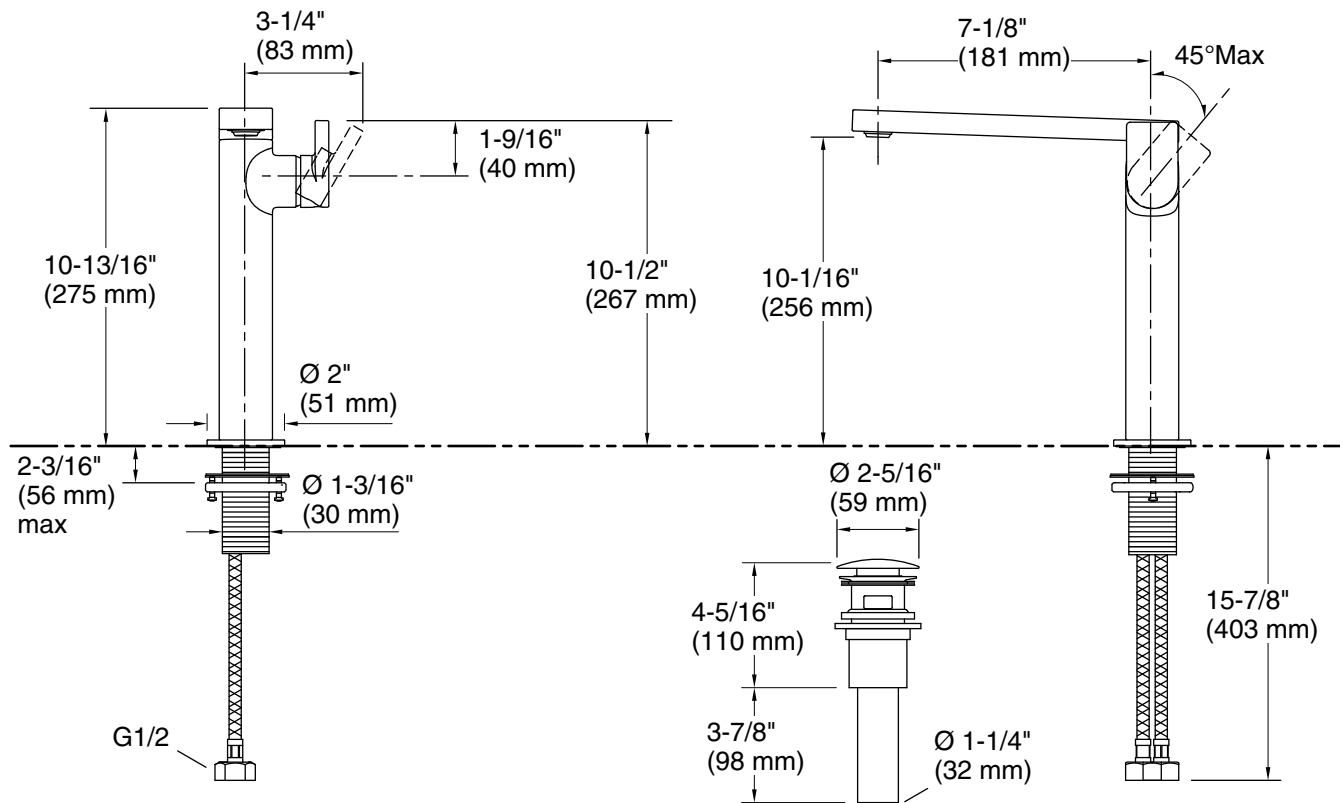
Color tiles intended for reference only.

Color	Code	Description
-------	------	-------------

	BL	Matte Black
---	----	-------------

KOHLER Faucets **Composed™**

Tower single-handle bathroom sink faucet with Lever handle, 8.3 lpm
K-73170T-4



Technical Information

All product dimensions are nominal.

Faucet:

Flow rate: 2.2 gal/min (8.3 l/min)

Drain included: Yes

Drain with overflow: Yes

Notes

Install this product according to the installation instructions.