

Features

- Rosespray
- Stationary gooseneck spout
- Adjustable flanges
- Cross handles are ADA-compliant
- 5-3/16" (132 mm) spout reach
- 1/2" NPT inside-threaded inlets
- 2.2 gpm (8.3 lpm) maximum flow rate at 60 psi (4.14 bar)

Material

- Solid-brass construction with Valvet® valves and brass valve bodies

Installation

- For 8" (203 mm) centers

Recommended Products/Accessories

- K-23726 Drain treatment
- K-23723 Faucet cleaner



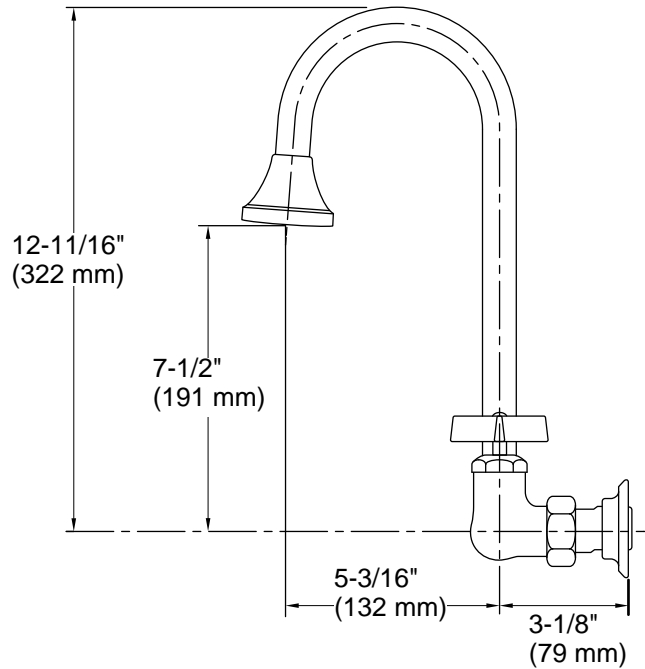
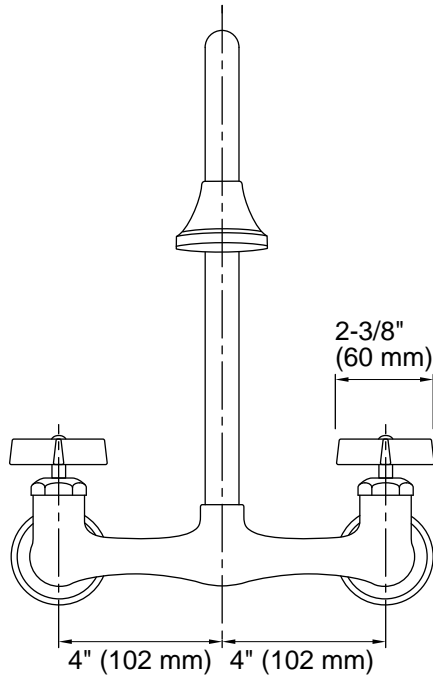
ADA

Codes/Standards

ASME A112.18.1/CSA B125.1
NSF/ANSI/CAN 61
NSF/ANSI/CAN 372
All applicable US Federal and State material regulations
DOE - Energy Policy Act 1992
ADA
ICC/ANSI A117.1
IAPMO Certification

KOHLER® Faucet Lifetime Limited Warranty

See website for detailed warranty information.



Technical Information

All product dimensions are nominal.

Faucet:

Flow rate: 2.2 gal/min (8.3 l/min)

Spout:

Spout reach: 5-3/16" (132 mm)

Notes

Install this product according to the installation guide.

ADA compliant for faucet handles only

ADA compliant when installed to the specific requirements of these regulations.