

### Features

- Diverts water flow to up to three separate components/outlets
- Components/outlets can only be operated individually
- Supplied as a three-way diverter valve (360 degree handle rotation) but can be configured onsite for two-way operation (120 degree handle rotation)
- Single-handle operation
- Using one outlet: 18 gpm flow rate at 45 psi; using two outlets: 20.8 gpm at 45 psi
- One 3/4" female NPT inlet connection
- Three 1/2" female NPT outlet connections
- Requires additional valve/s to control On/Off operation and temperature (sold separately)
- Requires transfer/diverter valve trim (sold separately)

### Material

- Forged dezincification-resistant brass body provides long term reliability and resistance to aggressive water conditions

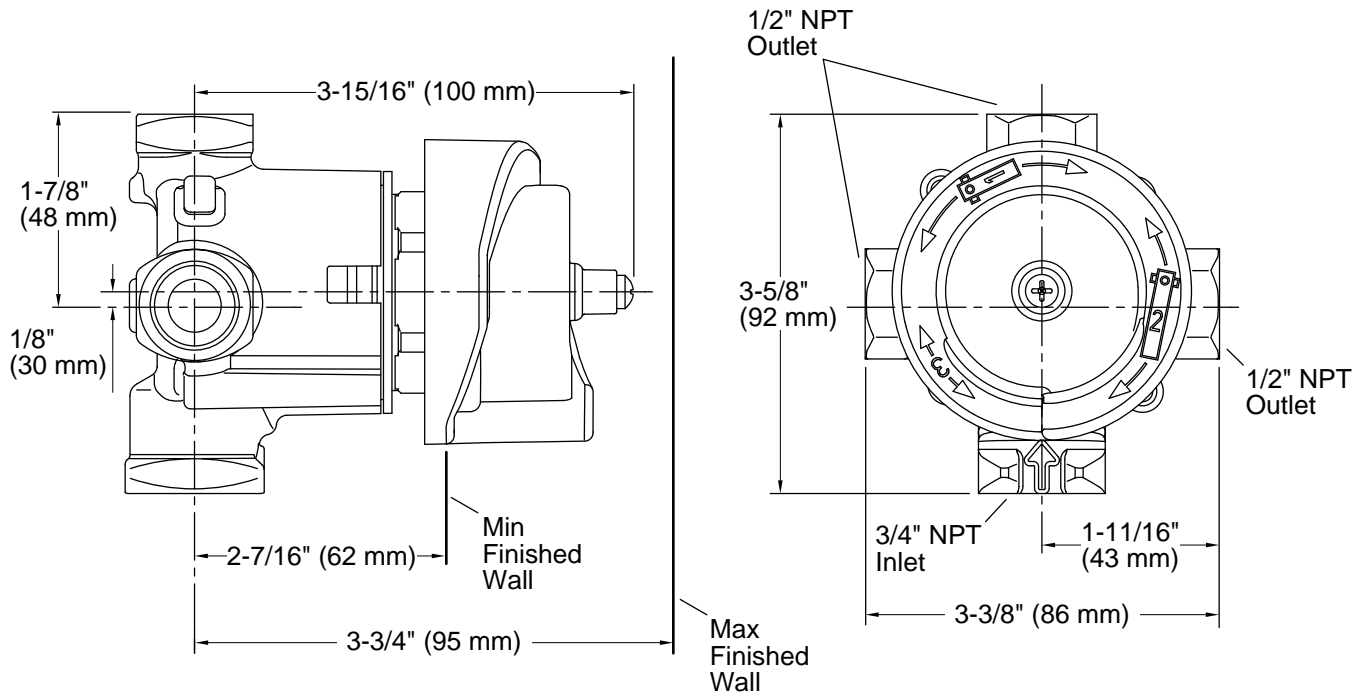


### Codes/Standards

ASME A112.18.1/CSA B125.1  
IAPMO Certification

### KOHLER® Faucet Lifetime Limited Warranty

See website for detailed warranty information.



**Technical Information**

All product dimensions are nominal.

**Spout:**

**Handshower:**

Rated maximum flow: 0 gal/min (0 l/min)