

## Features

- Quarter-turn washerless ceramic disc valves
- 4" (102 mm) spout reach
- Pop-up drain with lift rod and tailpiece
- Standard aerator
- Standard handles
- 0.5 gpm (1.9 lpm) maximum flow rate at 60 psi (4.14 bar)

## Material

- Brass

## Installation

- For 4" (102 mm) centers

## Recommended Products/Accessories

- K-23726 Drain treatment
- K-23723 Faucet cleaner

## Optional Products/Accessories

- 1160595 .35 gpm Aerator, Medium

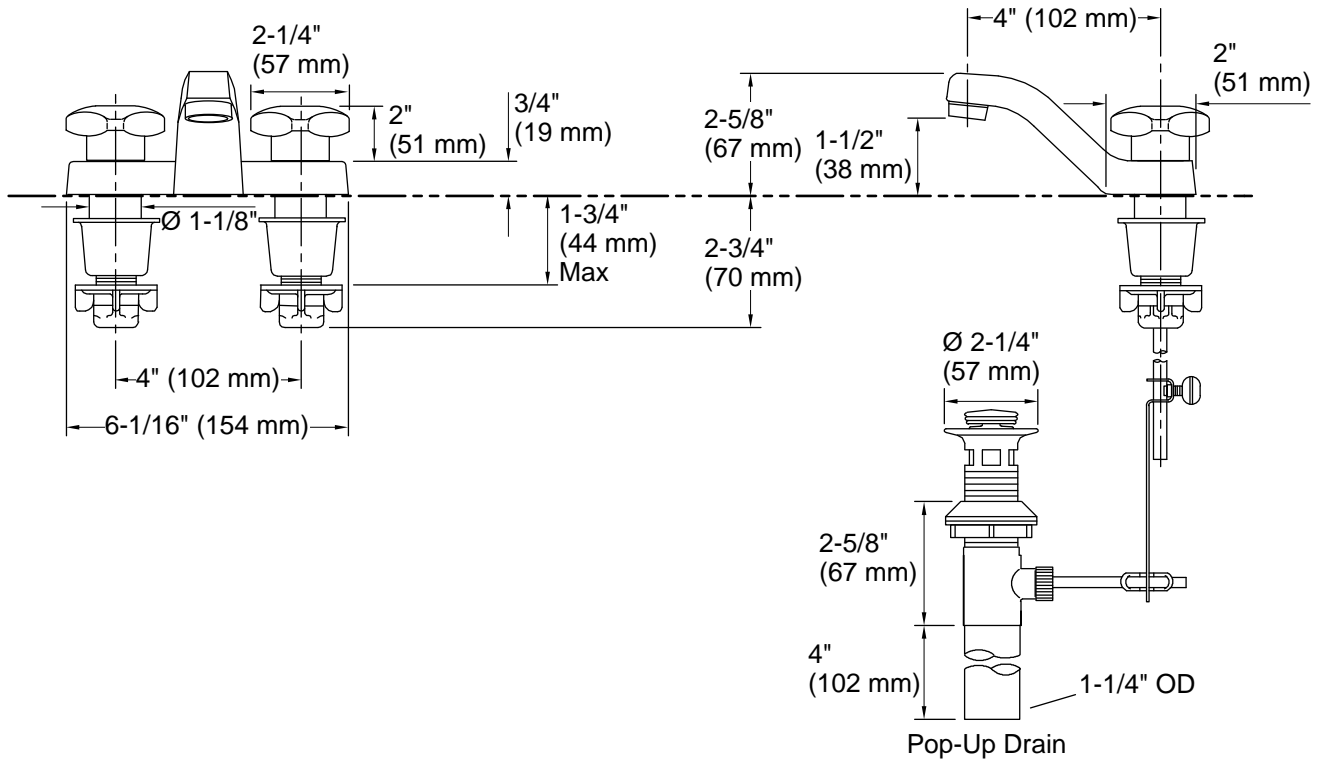


## Codes/Standards

- ASME A112.18.1/CSA B125.1
- NSF/ANSI/CAN 61
- NSF/ANSI/CAN 372
- All applicable US Federal and State material regulations
- DOE - Energy Policy Act 1992
- California Energy Commission (CEC)
- IAPMO Certification

## KOHLER® One-Year Limited Warranty

See website for detailed warranty information.



## Technical Information

All product dimensions are nominal.

### Faucet:

Flow rate: 0.5 gal/min (1.9 l/min)

Drain included: Yes

Drain tailpiece included: Yes

### Spout:

Spout reach: 4" (102 mm)

## Notes

Install this product according to the installation guide.