

Features

- Quarter-turn washerless ceramic disc valves
- 4" (102 mm) spout reach
- Standard aerator
- Standard handles
- Less drain
- 1.5 gpm (5.7 lpm) maximum flow rate at 60 psi (4.14 bar)

Material

- Brass
- Brass valve bodies

Installation

- For 4" (102 mm) centers

Recommended Products/Accessories

K-23723 Faucet cleaner

Optional Products/Accessories

1160595 .35 gpm Aerator, Medium
1160594 .35 gpm Aerator, Large

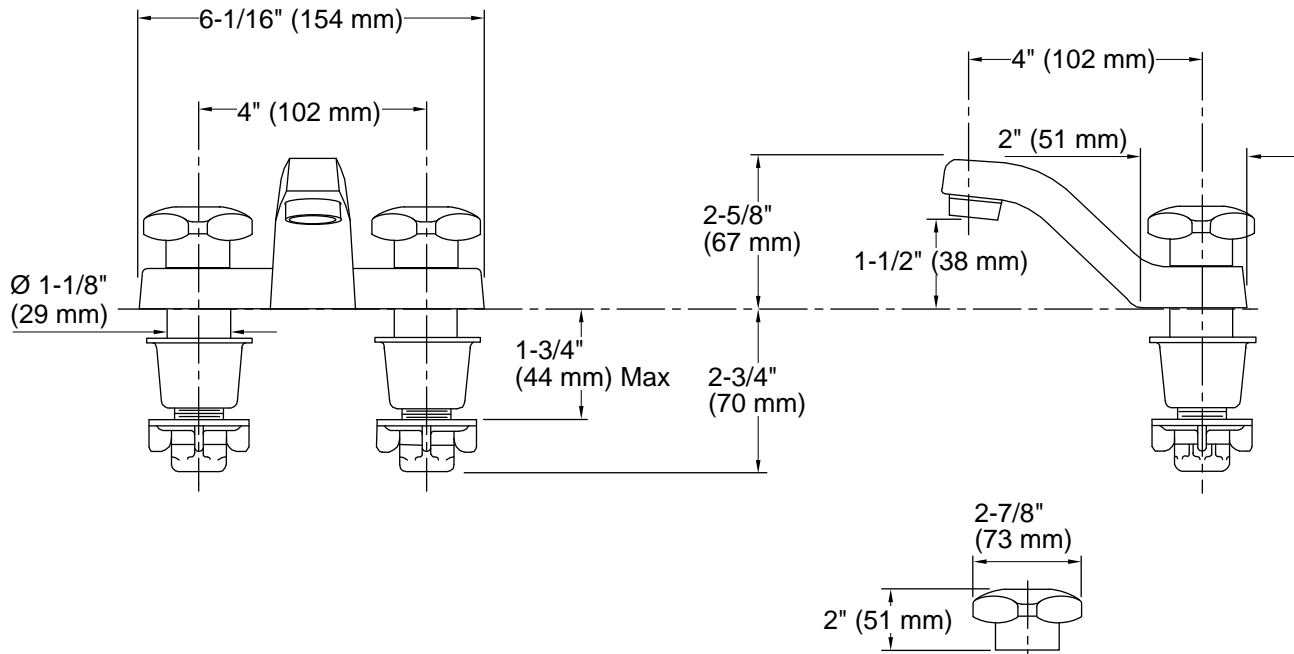


Codes/Standards

ASME A112.18.1/CSA B125.1
NSF/ANSI/CAN 61
NSF/ANSI/CAN 372
All applicable US Federal and State material regulations
DOE - Energy Policy Act 1992
EPA WaterSense®
IAPMO Certification

KOHLER® Faucet Lifetime Limited Warranty

See website for detailed warranty information.



Technical Information

All product dimensions are nominal.

Faucet:

Flow rate: 1.5 gal/min (5.7 l/min)

Drain included: No

Spout:

Spout reach: 4" (102 mm)

Notes

Install this product according to the installation guide.