

## Features

- Quarter-turn washerless ceramic disc valves
- 4" (102 mm) spout reach
- Standard aerator
- Standard handles
- Less drain
- 0.5 gpm (1.9 lpm) maximum flow rate at 60 psi (4.14 bar)

## Material

- Brass
- Brass valve bodies

## Installation

- For 4" (102 mm) centers

## Recommended Products/Accessories

K-23723 Faucet cleaner

## Optional Products/Accessories

1160595 .35 gpm Aerator, Medium

1160594 .35 gpm Aerator, Large



## Codes/Standards

ASME A112.18.1/CSA B125.1

NSF/ANSI/CAN 61

NSF/ANSI/CAN 372

All applicable US Federal and State material regulations

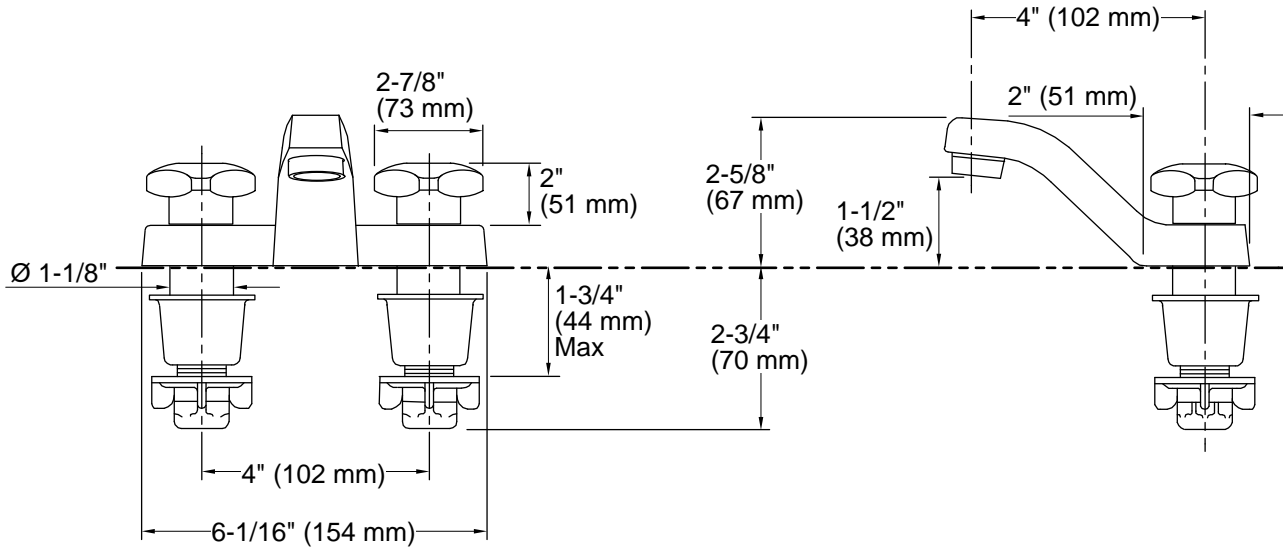
DOE - Energy Policy Act 1992

California Energy Commission (CEC)

IAPMO Certification

## KOHLER® One-Year Limited Warranty

See website for detailed warranty information.



**Technical Information**

All product dimensions are nominal.

**Faucet:**

Flow rate: 0.5 gal/min (1.9 l/min)

Drain included: No

**Spout:**

Spout reach: 4" (102 mm)

**Notes**

Install this product according to the installation guide.