

### Features

- Quarter-turn washerless ceramic disc valves
- 4" (102 mm) spout reach
- Vandal-resistant aerator
- Variety of handle style options
- 0.5 gpm (1.9 lpm) maximum flow rate at 60 psi (4.14 bar)
- Less drain

### Material

- Brass
- Brass valve bodies

### Installation

- For 4" (102 mm) centers

### Required Products/Accessories

[K-16010-3](#) Cross Handles for Centerset Base Faucet

or

[K-16010-4](#) Lever Handles for Centerset Base Faucet

or

[K-16010-5](#) Wristblade Lever Handles for Centerset Base Faucet

### Recommended Products/Accessories

K-23723 Faucet cleaner

### Optional Products/Accessories

1160595 .35 gpm Aerator, Medium

1160594 .35 gpm Aerator, Large



### Codes/Standards

ASME A112.18.1/CSA B125.1

NSF/ANSI/CAN 61

NSF/ANSI/CAN 372

All applicable US Federal and State material regulations

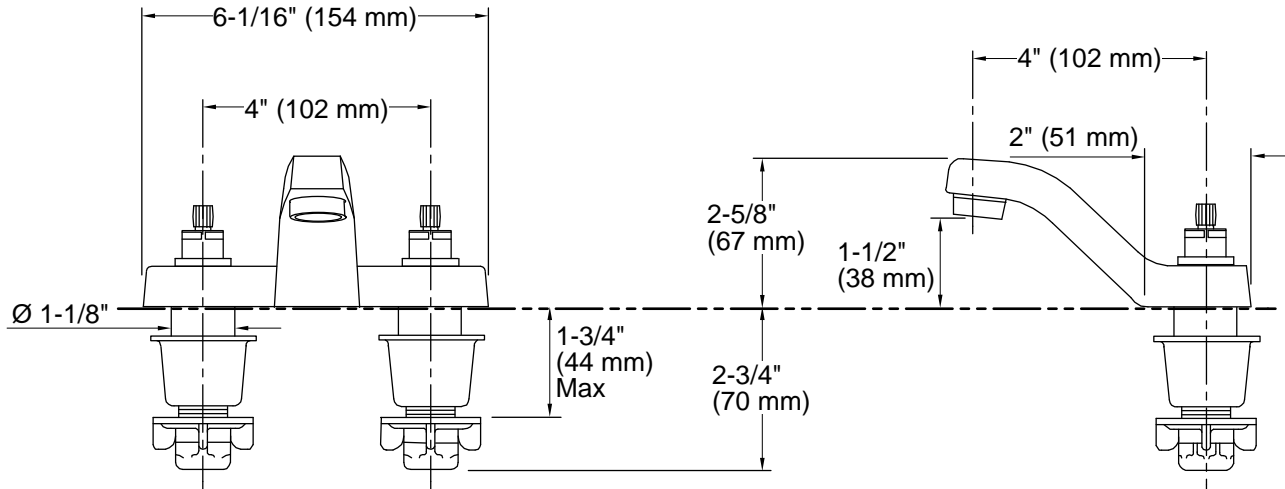
DOE - Energy Policy Act 1992

California Energy Commission (CEC)

IAPMO Certification

### KOHLER® One-Year Limited Warranty

See website for detailed warranty information.



### Technical Information

All product dimensions are nominal.

#### Faucet:

Flow rate: 0.5 gal/min (1.9 l/min)

Drain included: No

#### Spout:

Spout reach: 4" (102 mm)

### Notes

Install this product according to the installation guide.