

Features

- Quarter-turn washerless ceramic disc valves
- Pop-up drain with lift rod and tailpiece
- Standard aerator
- Variety of handle style options
- 5-1/4" (133 mm) gooseneck spout
- Lower flow aerator options are available
- 8" (203 mm) to 16" (406 mm) centers
- 2.2 gpm (8.3 lpm) maximum flow rate at 60 psi (4.14 bar)

Material

- Brass valve bodies
- Brass

Required Products/Accessories

[K-16010-3](#) Cross Handles for Centerset Base Faucet

or

[K-16010-4](#) Lever Handles for Centerset Base Faucet

or

[K-16010-5](#) Wristblade Lever Handles for Centerset Base Faucet

Recommended Products/Accessories

K-23726 Drain treatment
K-23723 Faucet cleaner

Optional Products/Accessories

1160595 .35 gpm Aerator, Medium

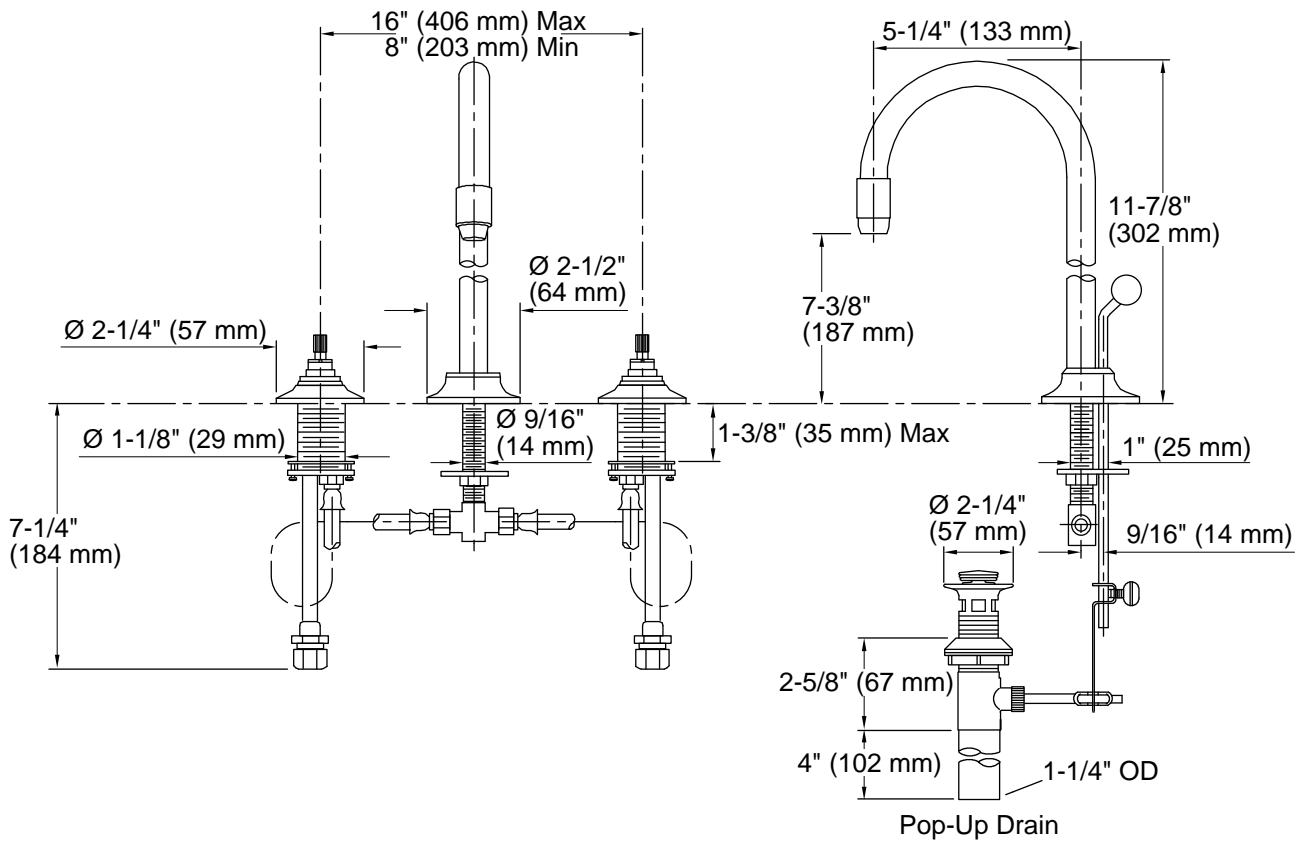


Codes/Standards

ASME A112.18.1/CSA B125.1
NSF/ANSI/CAN 61
NSF/ANSI/CAN 372
All applicable US Federal and State material regulations
DOE - Energy Policy Act 1992
IAPMO Certification

KOHLER® Faucet Lifetime Limited Warranty

See website for detailed warranty information.



Technical Information

All product dimensions are nominal.

Faucet:

Flow rate: 2.2 gal/min (8.3 l/min)

Drain included: Yes

Drain tailpiece included: Yes

Spout:

Spout reach: 5-1/4" (133 mm)

Notes

Install this product according to the installation guide.