

Features

- Quarter-turn washerless ceramic disc valves
- Pop-up drain with lift rod and tailpiece
- Standard aerator
- Standard handle
- 5" (127 mm) spout reach
- 2.0 gpm (7.6 lpm) maximum flow rate at 60 psi (4.14 bar)

Material

- Brass valve bodies
- Brass

Recommended Products/Accessories

- K-23726 Drain treatment
- K-23723 Faucet cleaner

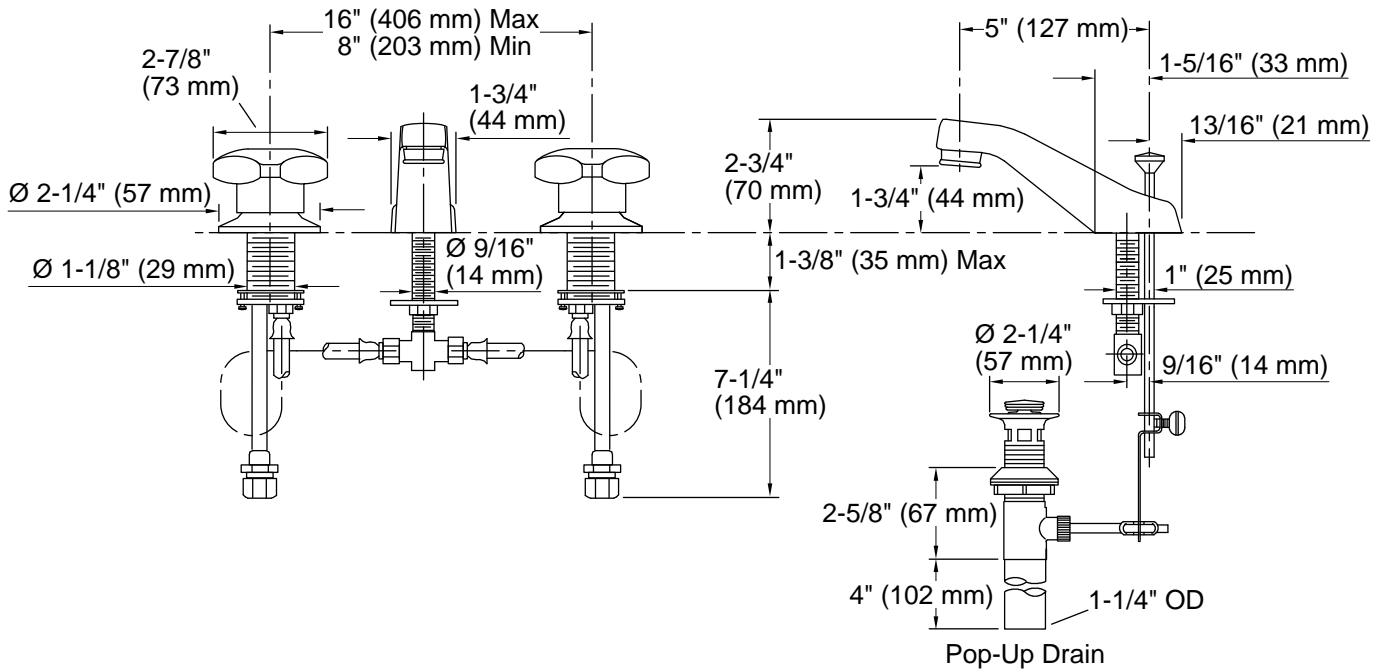


Codes/Standards

ASME A112.18.1/CSA B125.1
NSF/ANSI/CAN 61
NSF/ANSI/CAN 372
All applicable US Federal and State material regulations
DOE - Energy Policy Act 1992
IAPMO Certification

KOHLER® Faucet Lifetime Limited Warranty

See website for detailed warranty information.



Technical Information

All product dimensions are nominal.

Faucet:

Flow rate: 2.2 gal/min (8.3 l/min)

Drain included: Yes

Drain tailpiece included: Yes

Spout:

Spout reach: 5" (127 mm)

Notes

Install this product according to the installation guide.