

Features

- Quarter-turn washerless ceramic disc valves
- Less drain and lift rod
- Vandal-resistant Water-Guard® aerator
- Variety of handle style options
- 5" (127 mm) spout reach
- 0.5 gpm (1.9 lpm) maximum flow rate at 60 psi (4.14 bar)

Material

- Brass
- Brass valve bodies

Required Products/Accessories

[K-16012-3](#) Cross Handles for Widespread Base Faucet

Recommended Products/Accessories

K-23723 Faucet cleaner

Optional Products/Accessories

1160594 .35 gpm Aerator, Large



Codes/Standards

ASME A112.18.1/CSA B125.1

NSF/ANSI/CAN 61

NSF/ANSI/CAN 372

All applicable US Federal and State material regulations

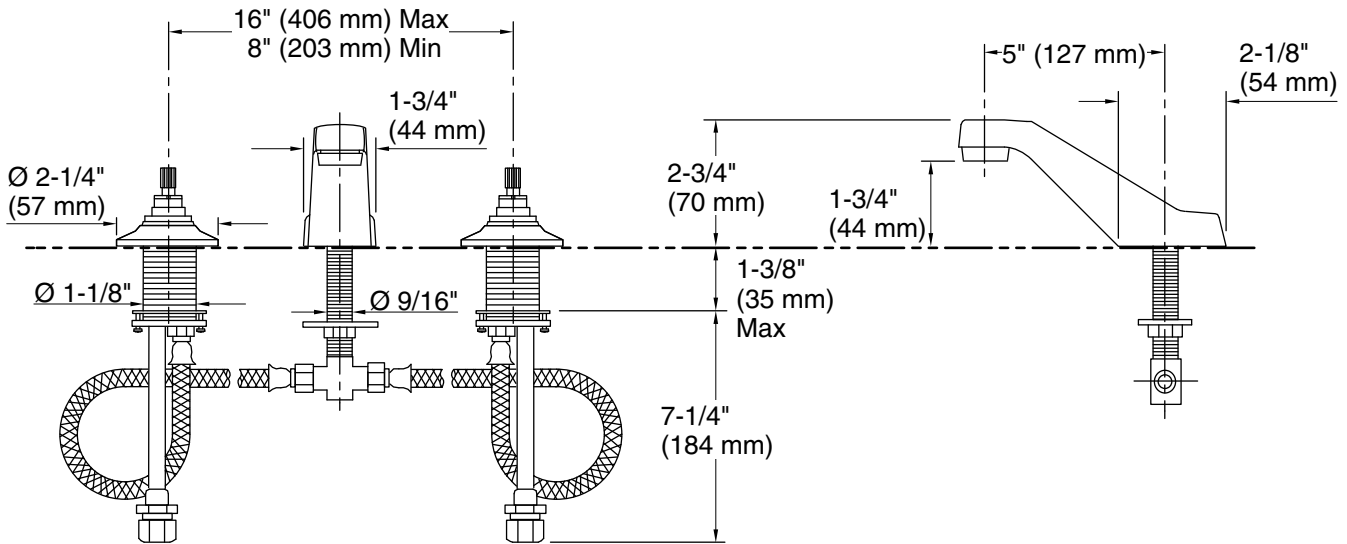
DOE - Energy Policy Act 1992

California Energy Commission (CEC)

IAPMO Certification

KOHLER® One-Year Limited Warranty

See website for detailed warranty information.



Technical Information

All product dimensions are nominal.

Faucet:

Flow rate: 0.5 gal/min (1.9 l/min)

Drain included: No

Spout:

Spout reach: 5" (127 mm)

Notes

Install this product according to the installation guide.