

## Features

- Quarter-turn washerless ceramic disc valves
- Less drain and lift rod
- Standard aerator
- Variety of handle style options
- Less handles
- 0.5 gpm (1.9 lpm) maximum flow rate at 60 psi (4.14 bar)

## Material

- Brass
- Brass valve bodies

## Required Products/Accessories

[K-16012-3](#) Cross Handles for Widespread Base Faucet

## Recommended Products/Accessories

K-23723 Faucet cleaner

## Optional Products/Accessories

1160594 .35 gpm Aerator, Large

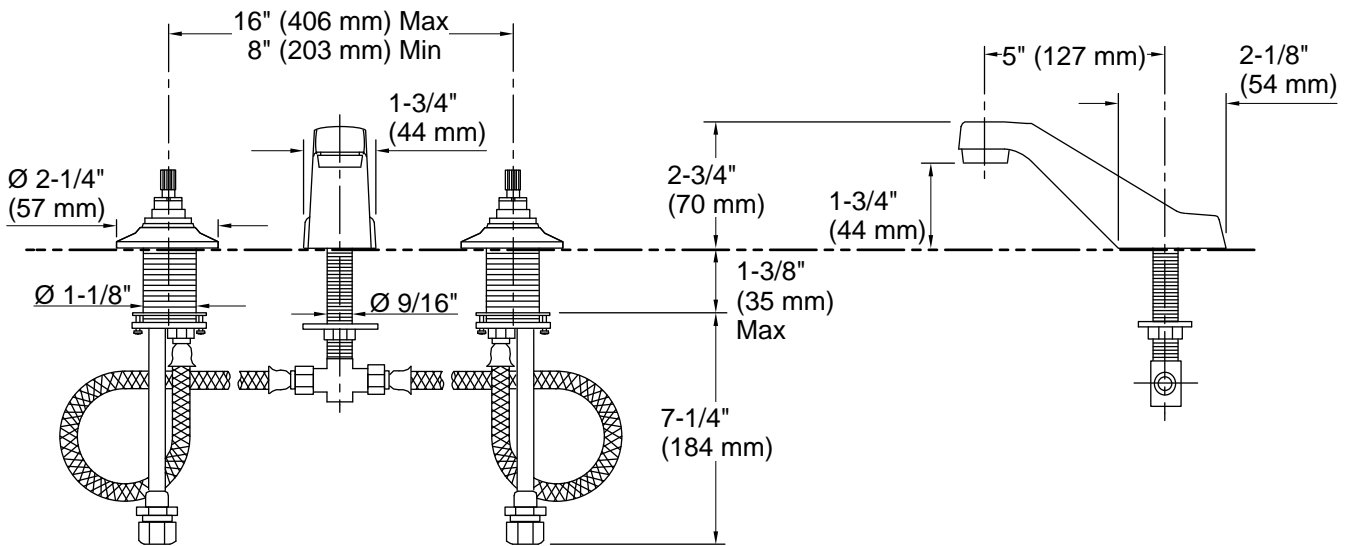


## Codes/Standards

ASME A112.18.1/CSA B125.1  
NSF/ANSI/CAN 61  
NSF/ANSI/CAN 372  
All applicable US Federal and State material regulations  
DOE - Energy Policy Act 1992  
California Energy Commission (CEC)  
IAPMO Certification

## KOHLER® One-Year Limited Warranty

See website for detailed warranty information.



## Technical Information

All product dimensions are nominal.

### Faucet:

Flow rate: 0.5 gal/min (1.9 l/min)

Drain included: No

### Spout:

Spout reach: 5" (127 mm)

## Notes

Install this product according to the installation guide.