

Features

- Quarter-turn washerless ceramic disc valves
- Pop-up drain with lift rod and tailpiece
- Variety of handle style options
- Standard aerator
- 5-1/4" (133 mm) gooseneck spout
- 0.5 gpm (1.9 lpm) maximum flow rate at 60 psi (4.14 bar)

Material

- Brass
- Brass valve bodies

Installation

- For 4" (102 mm) centers

Required Products/Accessories

[K-16012-3](#) Cross Handles for Widespread Base Faucet

Recommended Products/Accessories

K-23726 Drain treatment
K-23723 Faucet cleaner

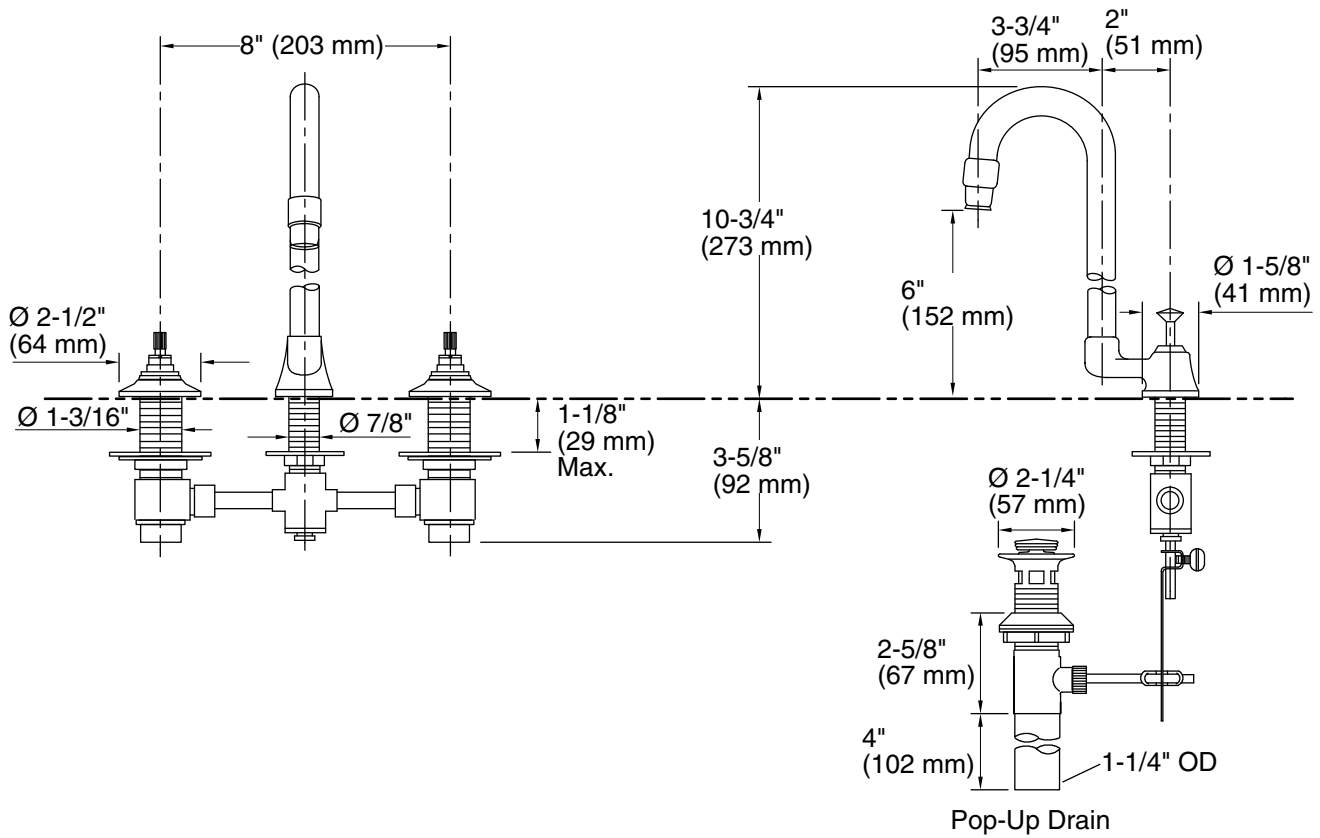


Codes/Standards

ASME A112.18.1/CSA B125.1
NSF/ANSI/CAN 61
NSF/ANSI/CAN 372
All applicable US Federal and State material regulations
DOE - Energy Policy Act 1992
California Energy Commission (CEC)
IAPMO Certification

KOHLER® One-Year Limited Warranty

See website for detailed warranty information.



Technical Information

All product dimensions are nominal.

Faucet flow rate: 0.5 gal/min (1.9 l/min)

Drain included: Yes

Notes

Install this product according to the installation instructions.