

Features

- 0.5 gpm (1.9 lpm) maximum flow rate
- Factory-set 30-second maximum continual run cycle
- Vandal-resistant aerator
- 24" (610 mm) flexible supply hose for easy installation
- 5-5/16" (135 mm) spout reach
- Less drain
- Less temperature mixer
- Insight™ adaptive infrared technology
- Waterproof shroud protects electronic components
- Water-saving vandal-resistant 0.5 gpm aerator

Material

- Brass

Technology

- Includes 3.6 volt Hybrid Energy Cell
- Electronic Insight™ sensor technology for accurate and consistent activation

Installation

- Single-hole mounting
- Above-counter valve for easy installation and maintenance

Recommended Products/Accessories

- K-23726 Drain treatment
- K-23723 Faucet cleaner

Optional Products/Accessories

- K-99799 Thermostatic Tempering Valve
- 1351966 Concealed Spray 0.35 gpm (1.3 l/m)
- K-7129 Drain
- K-7129-A Bathroom sink grid drain with overflow
- 1101643 Large Concealed Spray 0.5 gpm (1.9 l/min)
- 1139288 Large Concealed Spray Aerated 1.0 gpm (3.8 l/min)
- 1139289 Large Concealed Laminar 1.0 gpm (3.8 l/min)
- 1139290 Large Concealed Aerated 1.5 gpm (5.7 l/min)
- 1100596 Large Concealed Laminar 1.5 gpm (5.7 l/min)
- K-13478-B 4" escutcheon plate for Insight™ and Kinesis® faucet
- K-13479-A 8" escutcheon plate for Insight™ and Kinesis® faucet
- K-13479-B 8" escutcheon plate for Insight™ and Kinesis® faucet
- K-13478-A 4" escutcheon plate for Insight™ and Kinesis® faucet



ADA

CSA B651

OBC

Codes/Standards



ASME A112.18.1/CSA B125.1
NSF/ANSI/CAN 372
All applicable US Federal and State material regulations
DOE - Energy Policy Act 1992
ADA
ICC/ANSI A117.1
CSA B651
OBC
IAPMO Certification

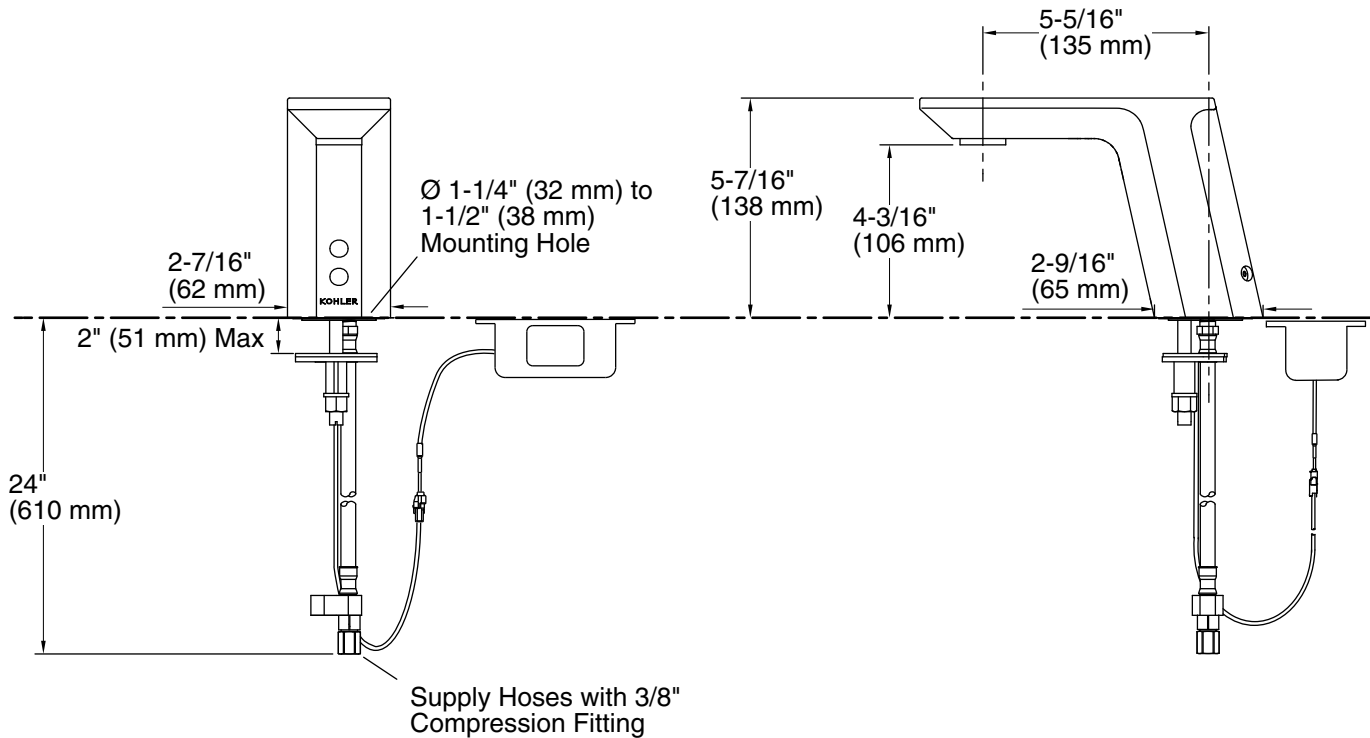
KOHLER® One-Year Limited Warranty

See website for detailed warranty information.

Available Colors/Finishes

Color tiles intended for reference only.

Color	Code	Description
	CP	Polished Chrome
	VS	Vibrant® Stainless



Technical Information

All product dimensions are nominal.

Faucet:

Flow rate: 0.5 gal/min (1.9 l/min)

Drain included: No

Spout:

Spout reach: 5-1/4" (134 mm)

Handshower:

Rated maximum flow: 0 gal/min (0 l/min)

Notes

Install this product according to the installation guide.

A 1-1/4" (32 mm) minimum to 1-1/2" (38 mm) maximum diameter mounting hole is required.

The minimum distance between the back of the faucet spout and the wall must be 1-3/4" (44 mm). This will allow proper clearance for setscrew access.

The maximum distance between the bathroom sink basin edge to the base of the faucet spout must be 1-3/4" (44 mm).

The maximum height of the lip basin should be 3/4" (19 mm).

Product includes rosebud spray aerator. Other aerator styles are available.

ADA, OBC, CSA B651 compliant when installed to the specific requirements of these regulations.