

Features

- Fixture-mount design
- Includes a 30-year hybrid energy cell
- Retrofit models require a control stop and vacuum breaker

Material

- Brass

Technology

- Electronic infrared sensor with WAVE technology for accurate activation
- Slow-closing piston technology

Installation

- Intended for toilet installations with 1-1/2" spud coupling connection

Recommended Products/Accessories

K-23723 Faucet cleaner



ADA

CSA B651

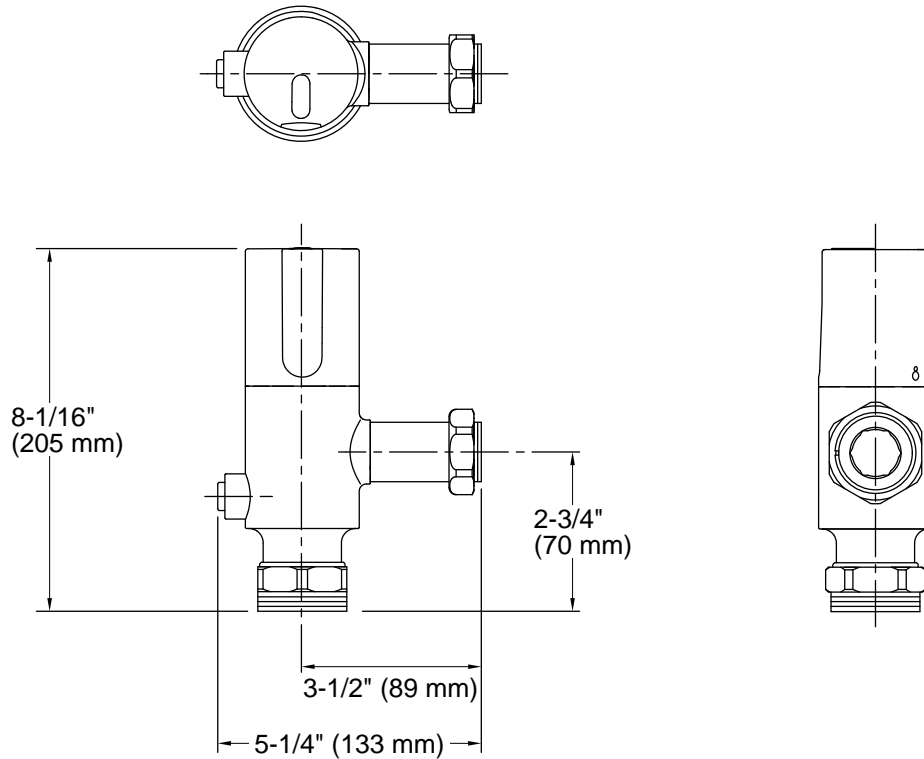
OBC

Codes/Standards

ASME A112.18.1/CSA B125.1
ASSE 1037/ASME A112.1037/CSA B125.37
ADA
ICC/ANSI A117.1
CSA B651
OBC
IAPMO Certification

KOHLER® One-Year Limited Warranty

See website for detailed warranty information.



Technical Information

All product dimensions are nominal.

Power source: Hybrid Energy Cell, included

Pressure/fixture Supply Requirements

Fixture pressure max (static): 80 psi (551.6 kPa)

Min flowing pressure: 25 psi (172.4 kPa)

Min flow rate: 25 gpm (94.6 lpm)

Notes

Install this product according to the installation guide.

ADA, OBC, CSA B651 compliant when installed to the specific requirements of these regulations.