

Features

- Fixture-mount design.
- Electronic infrared sensor with TriPoint™ technology for accurate activation.
- Intended for urinal installations with 3/4" spud coupling connection.
- Retrofit models require a control stop and vacuum breaker.

Material

- Brass construction.

Technology

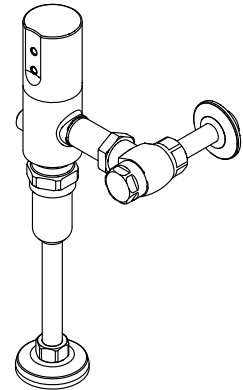
- Includes a 30-year hybrid energy cell.
- Slow-closing piston technology.

Deep Rough-In and Extension Kits

1118986

K-13716-CP

K-10313-CP



ADA

CSA B651

OBC

Codes/Standards

ASME A112.18.1/CSA B125.1

CSA B125.3

CSA B64

ASSE 1037

ADA

ICC/ANSI A117.1

CSA B651

OBC


KOHLER® One-Year Limited Warranty

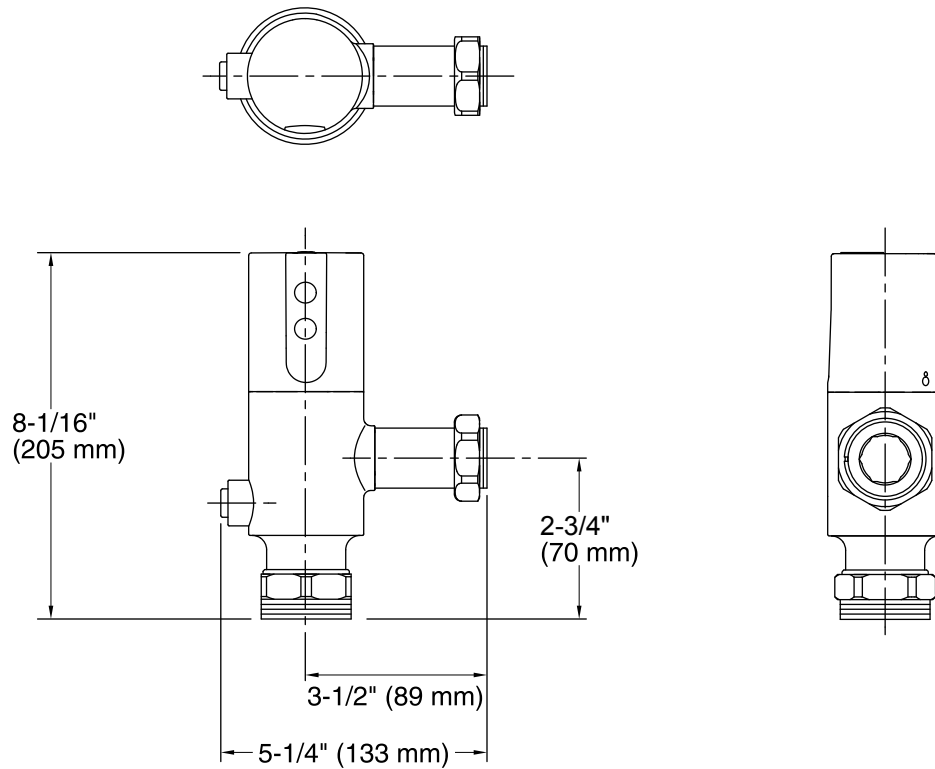
See website for detailed warranty information.

Available Color/Finishes

Color tiles intended for reference only.

Color	Code	Description
-------	------	-------------

	CP	Polished Chrome
--	----	-----------------



Technical Information

All product dimensions are nominal.

Pressure and Supply Requirements

Fixture pressure max 80 psi (551.6 kPa)
(static):

Notes

Install this product according to the installation guide.

Pressure over 80 psi (552 kPa) is not recommended on most plumbing fixtures.

ADA, OBC, CSA B651 compliant when installed to the specific requirements of these regulations.