

Features

- Includes K-72774 Artifacts showerhead, K-72776 Artifacts handshower, K-45906 HydroRail-S shower column, and K-9514 MasterShower® 60" (1524 mm) metal hose
- Optimized sprayface features a nozzle geometry that delivers a more focused coverage of large water droplets that both minimizes wasteful overspray and increases cleaning and hair-rinsing performance
- MasterClean™ sprayface features an easy-to-clean surface that withstands mineral buildup and maximizes spray performance
- Translucent nozzle color provides improved visual aesthetic with all available finishes
- 2.0 gpm (gallons per minute) showerhead and handshower flow rate
- Slidebar bracket allows you to adjust height and angle of handshower
- Diverter at base of column makes for easy toggling between handshower and showerhead
- This product can help a building earn Water Efficiency points in LEED® Green Building Rating System

Material

- Premium metal construction for durability and reliability
- KOHLER finishes resist corrosion and tarnishing

Technology

- Katalyst® air-induction technology infuses water with air, creating bigger drops for a more powerful spray

Installation

- Shower-only wall-mount installation
- Installs in less than 60 minutes without changes to in-wall plumbing (subject to condition of existing installation)
- May require additional service parts based on installation type (see installation guide for details)
- Includes an adapter that will fit with most installations but may require K-1194630, K-1187917 or K-1194302

Recommended Products/Accessories

1194302 Large Escutcheon/Mounting Collar Kit
1194630 1/2" NPT Deep Rough-in Kit
1187917 1/2" NPT Shallow Rough-in Kit
K-23723 Faucet cleaner

Included Components

K-45906 Shower column
K-9514 60" Shower Hose



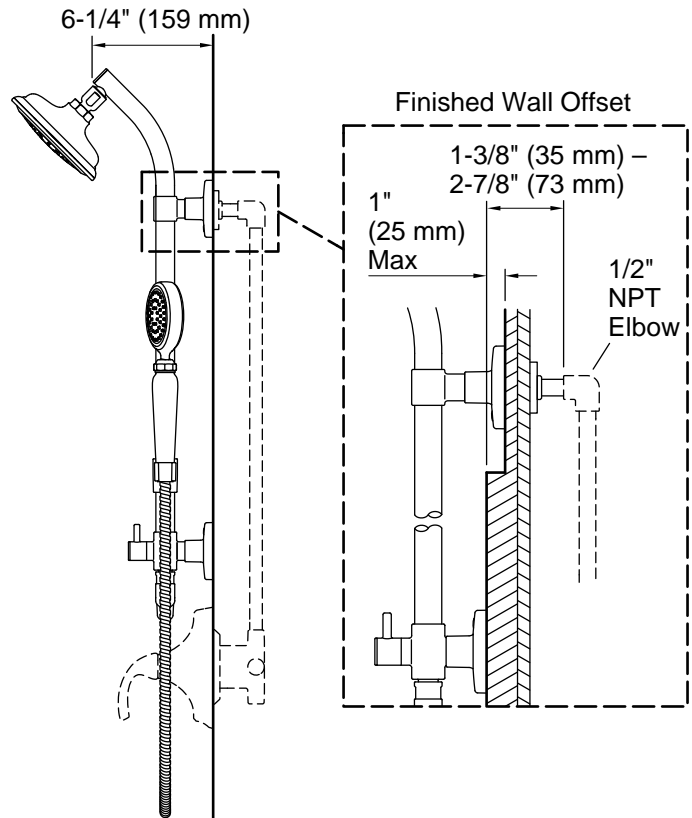
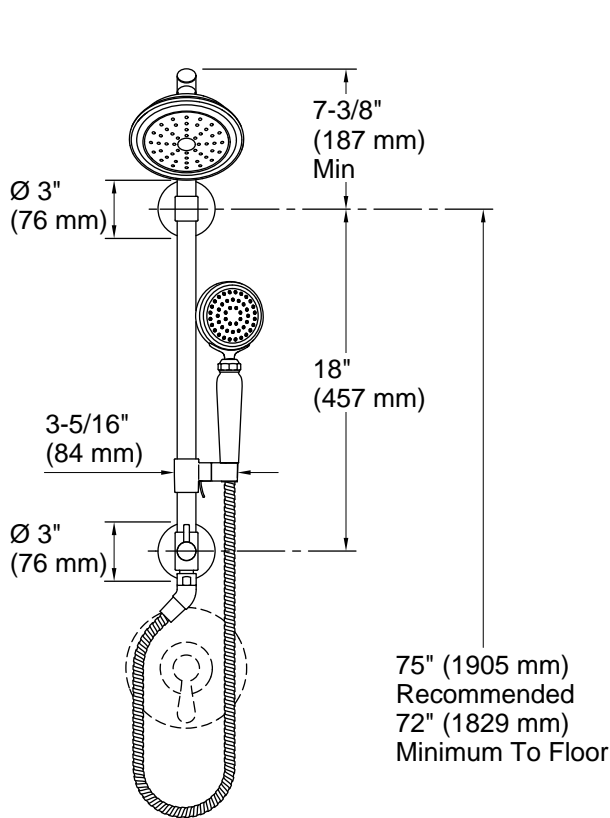
OBC

Codes/Standards

ASME A112.18.1/CSA B125.1
DOE - Energy Policy Act 1992
OBC
IAPMO Certification

KOHLER® Faucet Lifetime Limited Warranty

See website for detailed warranty information.



Technical Information

All product dimensions are nominal.

Handshower:

Rated maximum flow: 2 gal/min (7.6 l/min)

Showerhead/Body Spray:

Rated maximum flow: 2 gal/min (7.6 l/min)

Notes

Install this product according to the installation guide.

IMPORTANT! The sidebar must be mounted to stud framing at both the top and bottom mounting locations. Do not use or depend on plastic wall anchors to attach the sidebar.

Plumbing codes may require that an atmospheric vacuum breaker be installed in-line to handshowers. Consult with local codes.

OBC compliant when installed to the specific requirements of these regulations.