

Features

- Nondiverter spout
- Spout reach is 7-1/4" (184 mm)
- Single lever handle allows for both volume and temperature control
- 13.4 gpm (50.7 lpm) maximum bath faucet flow rate at 45 psi (3.1 bar)
- KOHLER® ceramic disc valves exceed industry longevity standards for a lifetime of durable performance
- Coordinates with Stance faucets, accessories, and showering components to complete your bathroom

Material

- Premium metal construction for durability and reliability
- KOHLER® finishes resist corrosion and tarnishing

Installation

- Deck-mount
- For two-hole installation
- G 1/2 inlet connection

Recommended Products/Accessories

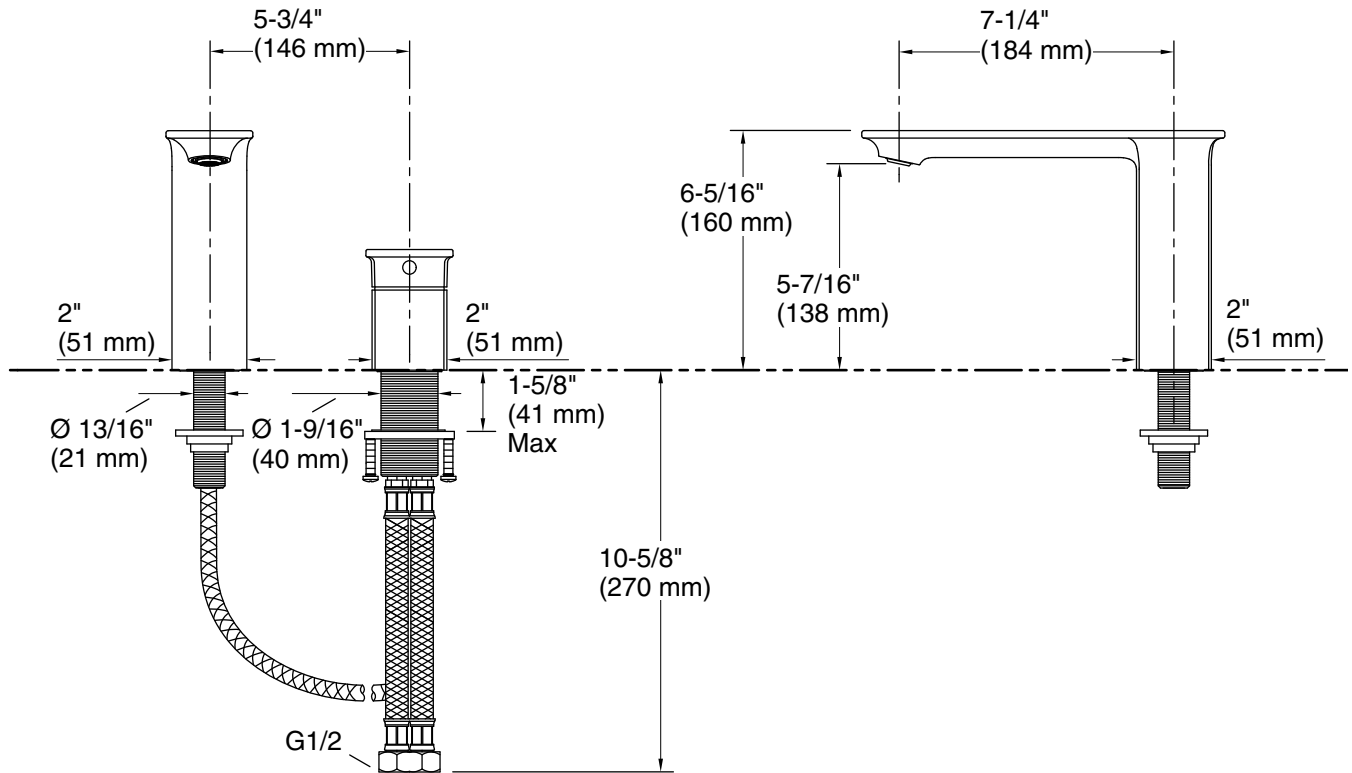
K-23723 Faucet cleaner



Codes/Standards

Plumbing Standards
GB 18145

See website for detailed warranty information.



Technical Information

All product dimensions are nominal.

Faucet:

Flow rate: 13.4 gal/min (50.7 l/min)

Drain included: No

Drain with overflow: Yes

Spout:

Spout reach: 7-1/4" (184 mm)

Notes

Install this product according to the installation instructions.