

Features

- 19" x 19" panel contains 775 easy-to-clean silicone nozzles and provides wide coverage area
- Deluge function is actuated from center of panel with a diverter valve in manual showers or actuated directly with the DTV+ system
- Deluge™ function delivers approximately 0.5 gallons of water in 8 seconds at the push of a button
- Center of the panel is designed as a rain-free zone to keep user's face dry and encourage easy breathing
- Can be configured with a manual valve system in coordination with the K-76746 Real Rain diverter valve or as part of the DTV+ digital showering system
- 2.0 gpm (7.6 lpm) maximum flow rate

Installation

- Mounts flush to the surface of a drop ceiling
- Z-bracket contains four leveling nuts to simplify installation
- 1/2" NPT male water supply inlet
- If using DTV+ system the user interface requires K-99693-P
- Easy-mount bracket and panels simplify installation
- Mounts flush to the surface of a drop ceiling
- If using DTV Prompt system, diverter valve K-76746 and trim K-76748 are required to actuate Deluge function
- Requires K-31111 Real Rain overhead panel trim

Required Products/Accessories

K-31111 overhead panel trim
K-76746 Diverter Valve
K-76748 diverter valve trim

or

K-31111 overhead panel trim
K-99693-P Digital interface
K-99694 Interface Mounting Bracket
K-99695 System Controller Module

Recommended Products/Accessories

K-23723 Faucet cleaner

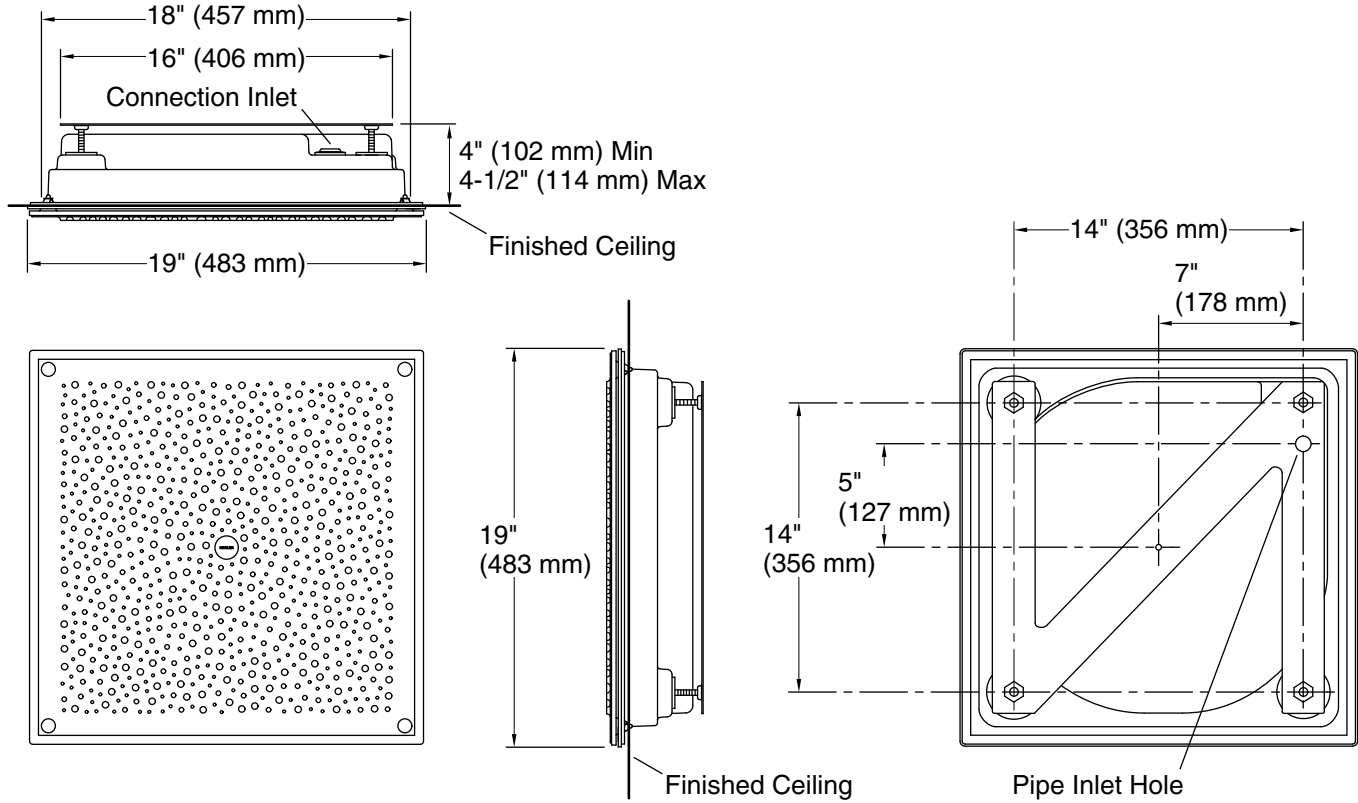


Codes/Standards

ASME A112.18.1/CSA B125.1
DOE - Energy Policy Act 1992

KOHLER® Faucet Lifetime Limited Warranty

See website for detailed warranty information.



Technical Information

All product dimensions are nominal.

Faucet flow rate: 2 gal/min (7.6 l/min)

Drain included: No

Shower/Rainhead rated max flow: 2 gal/min (7.6 l/min)

Notes

For use with automatic compensating valves rated at 1.75 gal/min (6.6 l/min) or less.

Install this product according to the installation instructions.