

## Features

- Quarter-turn washerless ceramic disc valves
- Lower flow aerator options are available
- Variety of handle style options
- 8-1/8" (206 mm) swing spout
- Less drain
- 1.5 gpm (5.7 lpm) maximum flow rate at 60 psi (4.14 bar)

## Material

- Brass
- Brass valve bodies

## Installation

- For 8" (203 mm) centers

## Required Products/Accessories

[K-16012-3](#) Cross Handles for Widespread Base Faucet

## Recommended Products/Accessories

K-23723 Faucet cleaner

## Optional Products/Accessories

77619 Deep Rough-in Kit

1011402 SD Spray Deep Rough-in Kit

1160595 .35 gpm Aerator, Medium



**ADA**

## Codes/Standards

ASME A112.18.1/CSA B125.1

NSF/ANSI/CAN 61

NSF/ANSI/CAN 372

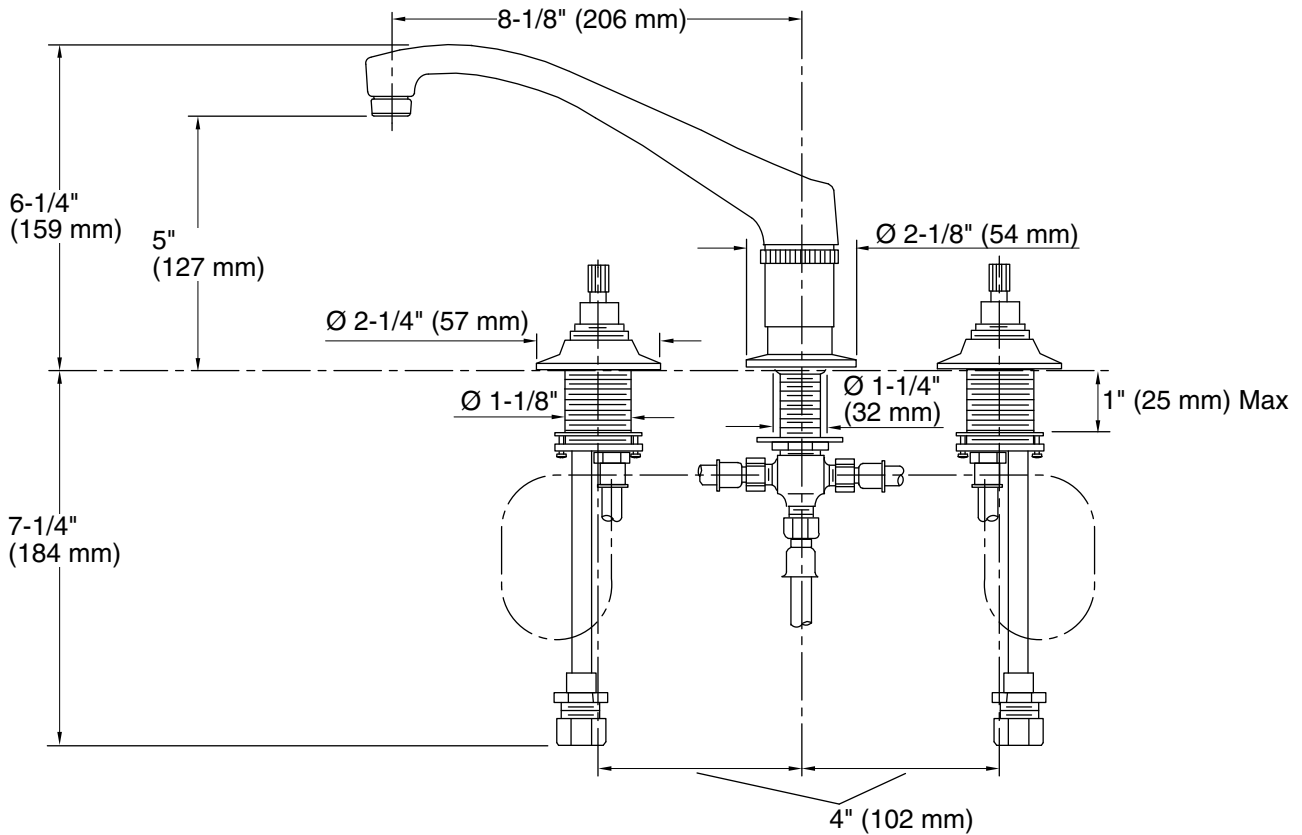
DOE - Energy Policy Act 1992

California Energy Commission (CEC)

ADA

## **KOHLER® Faucet Lifetime Limited Warranty**

See website for detailed warranty information.



### Technical Information

All product dimensions are nominal.

Faucet flow rate: 1.5 gal/min (5.7 l/min)

Drain included: No

### Spout:

Spout reach: 8-1/8" (206 mm)

### Notes

Install this product according to the installation instructions.

ADA compliant when installed to the specific requirements of these regulations.