

KOHLER® Faucets

Single-handle bathroom sink faucet with Tube spout and Pin handle, 5.7 lpm
K-77958T-4A

Features

- Single pin handle allows for both volume and temperature control
- Temperature memory allows faucet to be turned on and off at the temperature set during prior usage
- 5-1/16" (129 mm) spout reach
- 3-11/16" (94 mm) spout height
- 1.5 gpm (5.7 lpm) maximum flow rate at 45 psi (3.1 bar)
- Includes metal pop-up drain with 1-1/4" metal tailpiece
- KOHLER® ceramic disc valves exceed industry longevity standards for a lifetime of durable performance
- Coordinates with Components faucets, accessories, and showering components to complete your bathroom

Material

- Premium metal construction for durability and reliability
- KOHLER® finishes resist corrosion and tarnishing

Installation

- For single-hole installation
- Preattached flexible supply lines simplify installation

Recommended Products/Accessories

K-23726 Drain treatment
K-23723 Faucet cleaner



Codes/Standards

Plumbing Standards
TIS 2067-2552
GB 18145

KOHLER® Faucet Lifetime Limited Warranty

See website for detailed warranty information.

Call Center: 0-2204-6222

Kohler Co. reserves the right to make revisions without notice to product specifications.

For the most current Specification Sheet, go to www.KohlerAsiaPacific.com.

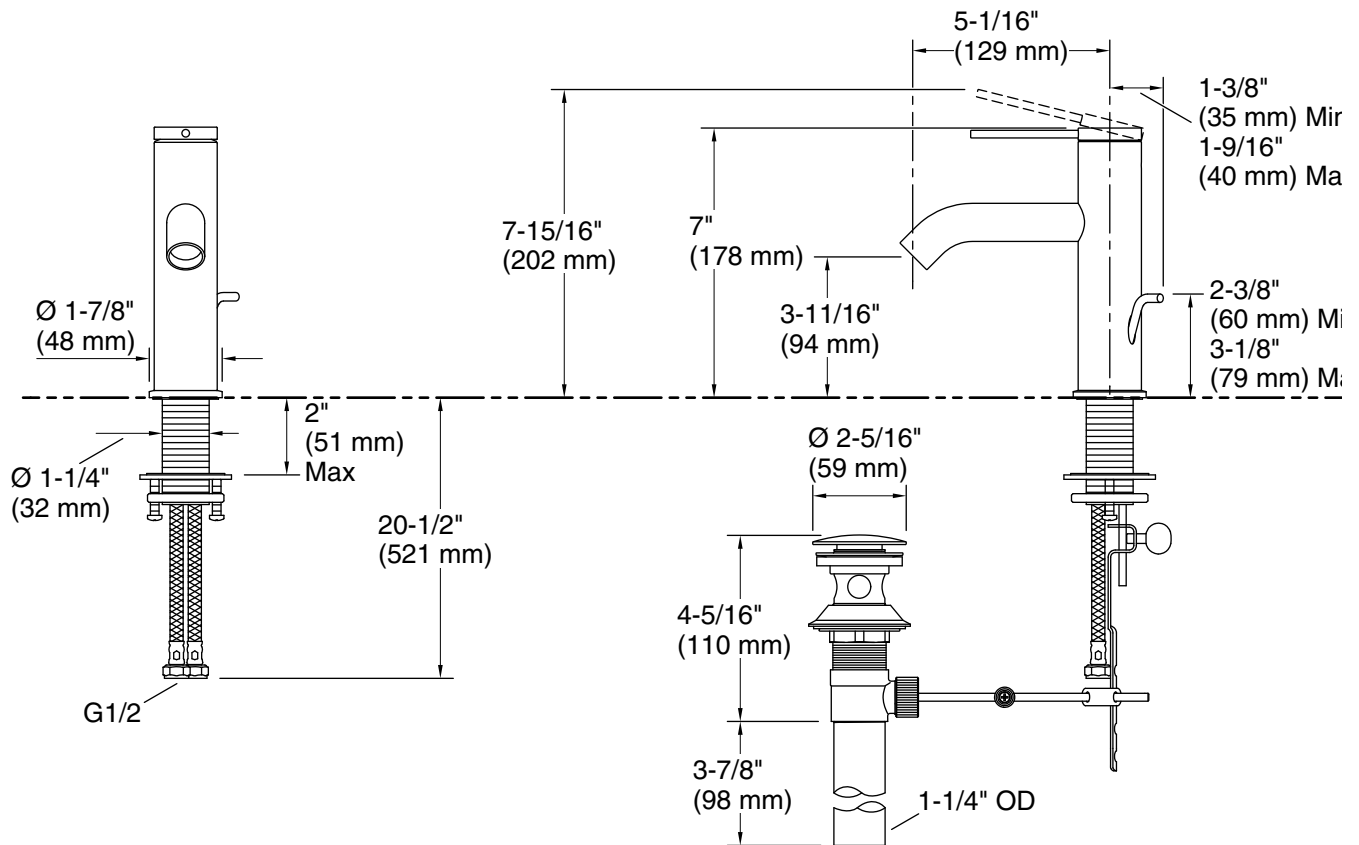
11-11-2023 01:24 K-77958T-4A_K4_spec - TH/CN/ID/PH/TW/VN

THE BOLD LOOK
OF **KOHLER®**

KOHLER Faucets

Single-handle bathroom sink faucet with Tube spout and Pin handle, 5.7 lpm
K-77958T-4A

Components™



Technical Information

All product dimensions are nominal.

Faucet:

Flow rate: 1.5 gal/min (5.7 l/min)

Pressure: 45 psi (3.1 bar)

Drain included: Yes

Drain with overflow: Yes

Spout:

Spout reach: 5-1/16" (129 mm)

Notes

Install this product according to the installation instructions.