

Features

- Laminar flow delivers a graceful stream of water
- Spout reach is 6-5/16" (160 mm)
- 6-11/16" (170 mm) spout height
- 1.8 gpm (6.8 lpm) maximum flow rate at 60 psi (4.14 bar)
- Includes clicker drain with 1-1/4" (32 mm) metal tailpiece
- Coordinates with Components faucets, accessories, and showering components to complete your bathroom
- For use with Components™ Lever, Oyl, or Industrial faucet handles (sold separately)

Material

- Premium metal construction for durability and reliability
- KOHLER® finishes resist corrosion and tarnishing

Installation

- Deck-mount
- G 1/2 inlet connection
- Flexible supply lines simplify installation

Recommended Products/Accessories

K-23726 Drain treatment
K-23723 Faucet cleaner

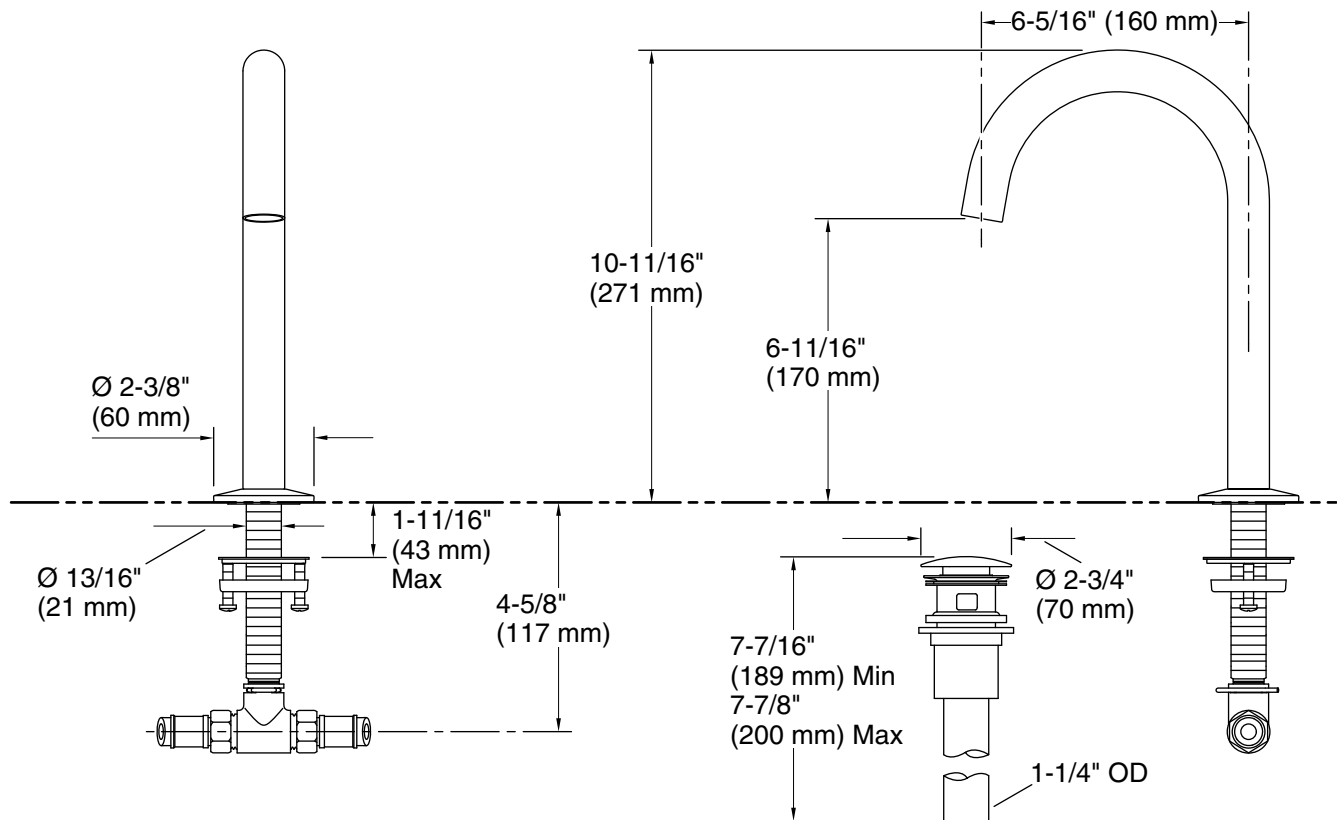


Codes/Standards

Plumbing Standards
GB 18145

KOHLER® Faucet Lifetime Limited Warranty

See website for detailed warranty information.



Technical Information

All product dimensions are nominal.

Faucet:

Flow rate: 18 gal/min (68.1 l/min)

Pressure: 45 psi (3.1 bar)

Drain included: Yes

Drain with overflow: Yes

Spout:

Spout reach: $6\text{-}5/16"$ (160 mm)

Notes

Install this product according to the installation instructions.