

KOHLER[®] Faucets Bathroom sink faucet spout with Ribbon design, 7.0

lpm
K-77968T

Features

- Aerated flow delivers a smooth, steady stream of water
- Spout reach is 6-5/16" (160 mm)
- 6-11/16" (170 mm) spout height
- 1.85 gpm (7.0 lpm) maximum flow rate at 60 psi (4.14 bar)
- Includes clicker drain with 1-1/4" (32 mm) metal tailpiece
- Coordinates with Components faucets, accessories, and showering components to complete your bathroom
- For use with Components™ Lever, Oyl, or Industrial faucet handles (sold separately)

Material

- Premium metal construction for durability and reliability
- KOHLER[®] finishes resist corrosion and tarnishing

Installation

- Deck-mount
- G 1/2 inlet connection
- Flexible supply lines simplify installation

Recommended Products/Accessories

K-23726 Drain treatment
K-23723 Faucet cleaner



Codes/Standards

Plumbing Standards
GB 18145

KOHLER[®] Faucet Lifetime Limited Warranty

See website for detailed warranty information.

Call Center: 0-2204-6222

Kohler Co. reserves the right to make revisions without notice to product specifications. For the most current Specification Sheet, go to www.KohlerAsiaPacific.com.

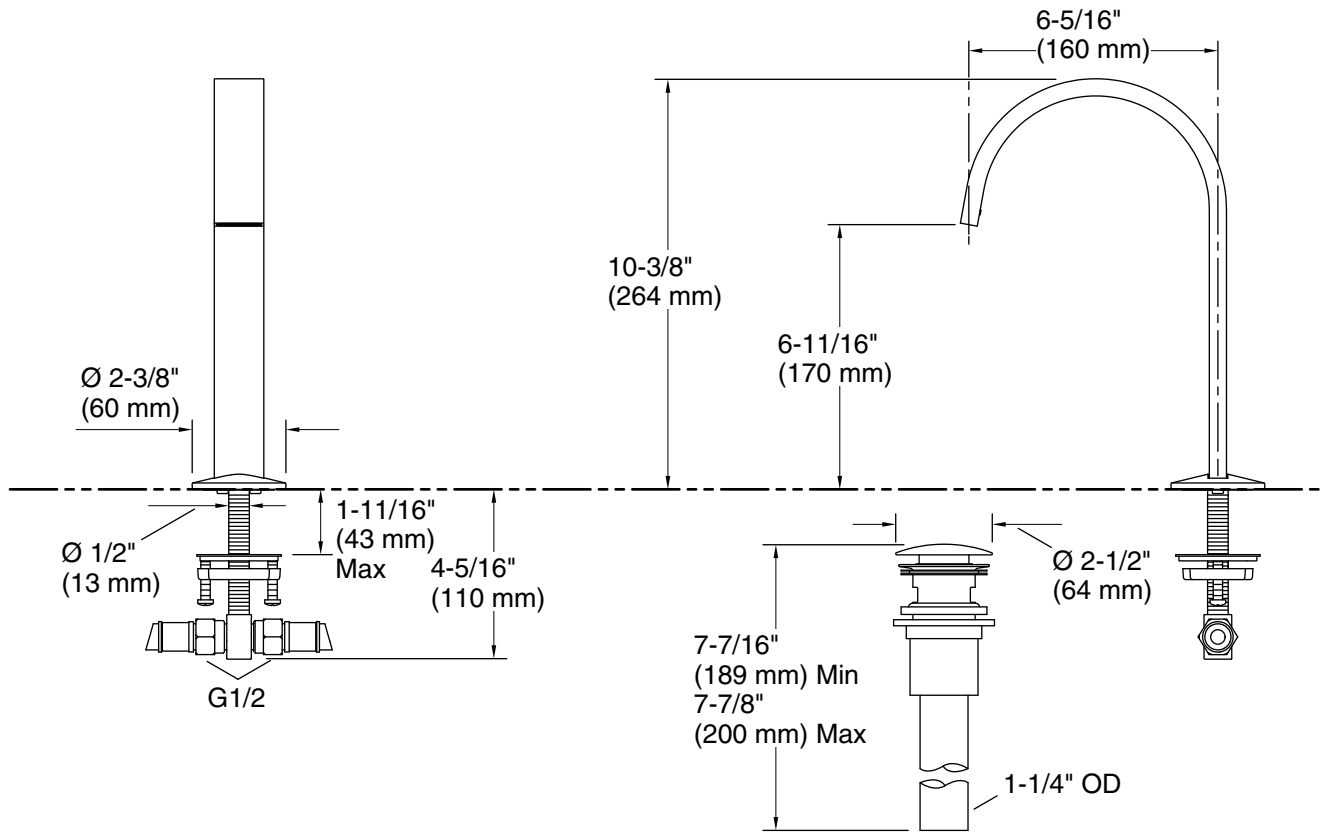
11-10-2023 23:38 K-77968T_K4_spec - TH/CN/ID/PH/TW/VN

THE BOLD LOOK
OF **KOHLER**[®]

KOHLER Faucets Bathroom sink faucet spout with Ribbon design, 7.0 lpm

Components™

K-77968T



Technical Information

All product dimensions are nominal.

Drain included: Yes

Drain with overflow: Yes

Spout:

Spout reach: 6-5/16" (160 mm)

Notes

Install this product according to the installation instructions.