

KOHLER Faucets Bathroom sink faucet handles with Industrial design

Components™

K-77990T-9

Features

- Two Industrial handles allow for both volume and temperature control
- Red/blue indexing
- Coordinates with other products in the Components collection
- For use with Components Row, Ribbon, or Tube spout (sold separately).

Material

- Premium metal construction for durability and reliability
- KOHLER® finishes resist corrosion and tarnishing

Installation

- Deck-mount
- Trim only; requires valve to complete installation (sold separately)

Required Products/Accessories

K-T23888 Wall-mount bathroom sink faucet spout with Ribbon design, 1.2 gpm

or

K-T23889 Wall-mount bathroom sink faucet spout with Row design, 1.2 gpm

or

K-T23890 Wall-mount bathroom sink faucet spout with Tube design, 1.2 gpm

Recommended Products/Accessories

K-23726 Drain treatment
K-23729 Stainless steel cleaner

Optional Products/Accessories

K-7107 Decorative Drain
K-7108 Decorative Drain
K-7114 Pop-Up Drain
K-7114-A Pop-Up Drain
K-7127 Drain
K-7127-A Drain
K-7129 Drain
K-7129-A Drain



Codes/Standards

Plumbing Standards
GB 18145

KOHLER® Faucet Lifetime Limited Warranty

See website for detailed warranty information.

Call Center: 0-2204-6222

Kohler Co. reserves the right to make revisions without notice to product specifications. For the most current Specification Sheet, go to www.KohlerAsiaPacific.com.

10-5-2023 19:45 K-77990T-9_K4_spec - TH/CN/HK/ID/PH/TW/VN

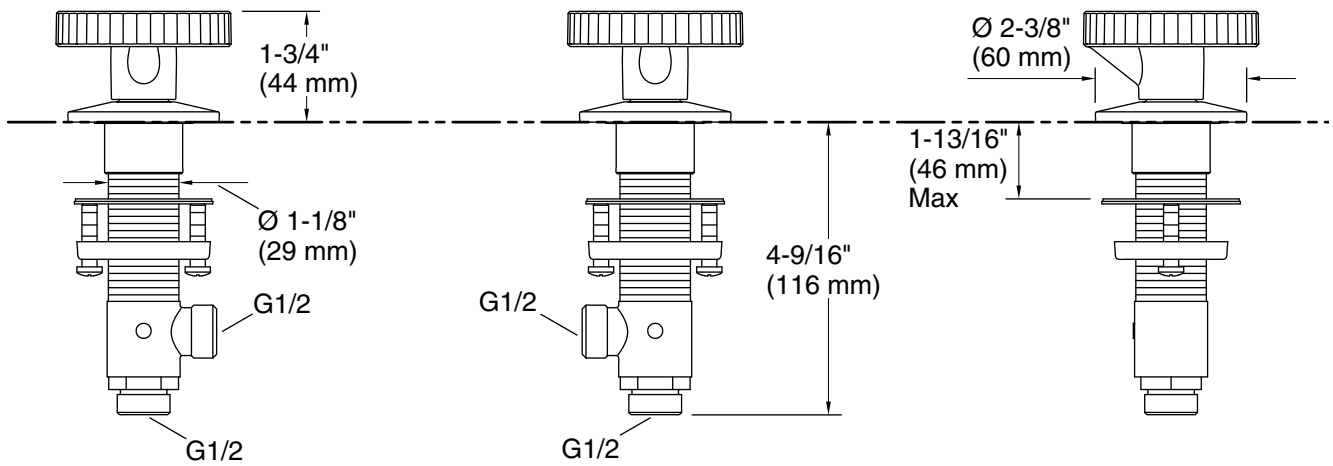
THE BOLD LOOK
OF **KOHLER**®

KOHLER Faucets

Bathroom sink faucet handles with Industrial design

Components™

K-77990T-9



Technical Information

All product dimensions are nominal.

Drain included: No

Notes

Install this product according to the installation instructions.