

KOHLER[®] Faucets

Components™

Wall-mount bath faucet with Tube spout and Rocker handles

K-78014T-8

Features

- Two Rocker handles allow for both volume and temperature control
- Red/blue indexing
- Spout reach is 9-1/2" (241 mm)
- 18 gpm (68 lpm) maximum flow rate at 45 psi (3.1 bar)
- Nondiverter spout
- KOHLER[®] ceramic disc valves exceed industry longevity standards for a lifetime of durable performance
- Coordinates with Components faucets, accessories, and showering components to complete your bathroom



Material

- Premium metal construction for durability and reliability
- KOHLER[®] finishes resist corrosion and tarnishing

Installation

- Wall-mount
- G 1/2 inlet connection
- Three-hole installation

Recommended Products/Accessories

K-23723 Faucet cleaner

Codes/Standards

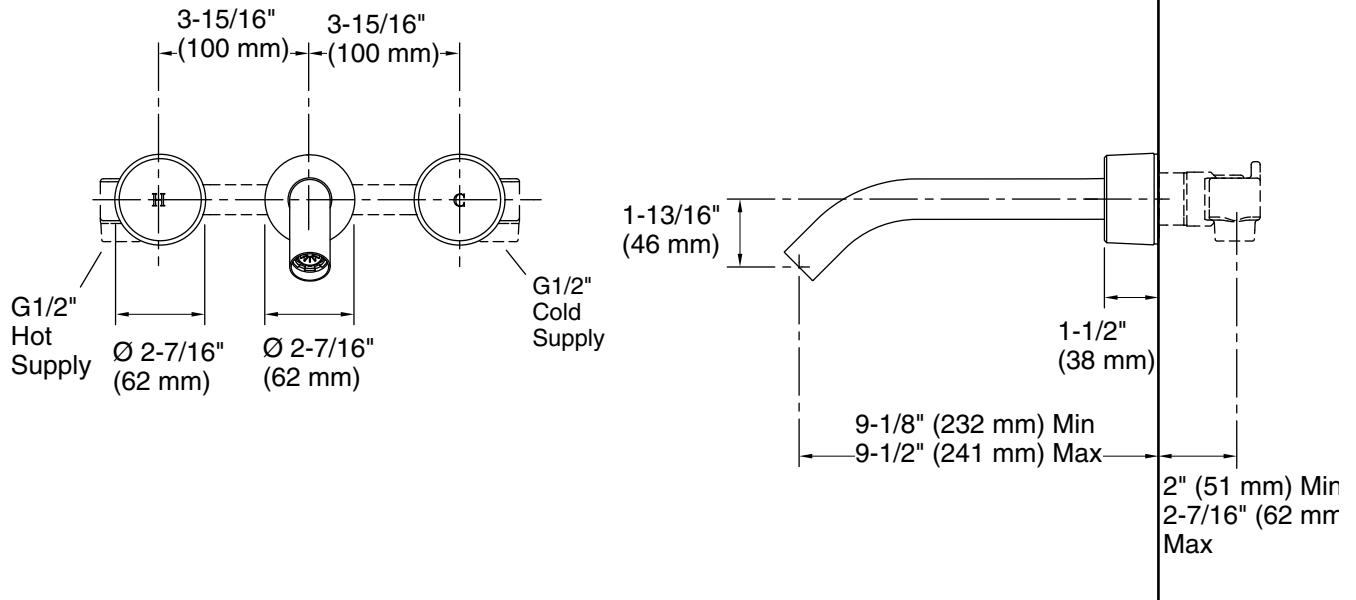
Plumbing Standards
GB 18145

See website for detailed warranty information.

KOHLER Faucets **Components™**

Wall-mount bath faucet with Tube spout and Rocker handles

K-78014T-8



Technical Information

All product dimensions are nominal.

Faucet:

Flow rate: 18 gal/min (68.1 l/min)

Drain included: No

Drain with overflow: Yes

Notes

Install this product according to the installation instructions.