

### Features

- Two Industrial handles allow for both volume and temperature control
- 9-1/2" (241 mm) spout reach
- 18 gpm (68 lpm) maximum flow rate at 45 psi (3.1 bar)
- Coordinates with Components faucets, accessories, and showering components to complete your bathroom

### Material

- Premium material construction for durability and reliability

### Installation

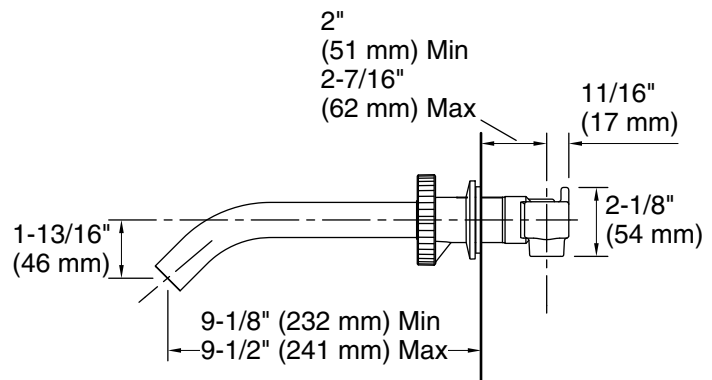
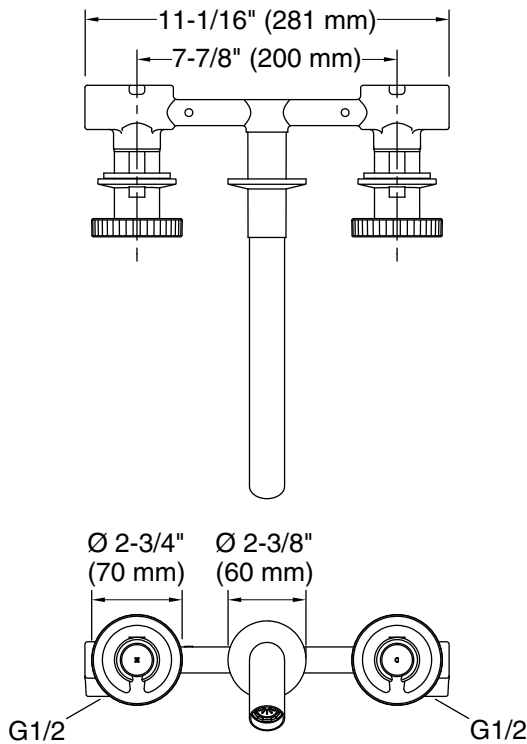
- Wall-mount
- Three-hole installation



### Codes/Standards

Plumbing Standards  
GB 18145

See website for detailed warranty information.



### Technical Information

All product dimensions are nominal.

#### Faucet:

Flow rate: 18 gal/min (68.1 l/min)

Drain included: No

Drain with overflow: Yes

### Notes

Install this product according to the installation instructions.