

# KOHLER® Faucets

## Components™ Modulo™

Recessed non-thermostatic bath & shower valve and trim with Lever handle

**K-78021T-B4A**

### Features

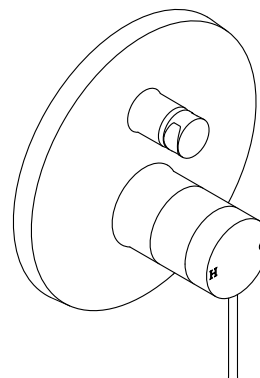
- Single Pin handle allows for both volume and temperature control
- Red/blue indexing
- Temperature memory allows faucet to be turned on and off at the temperature set during prior usage
- Push-button diverter
- Includes valve
- Coordinates with Components faucets, accessories, and showering components to complete your bathroom

### Material

- Premium metal construction
- KOHLER® finishes resist corrosion and tarnishing

### Installation

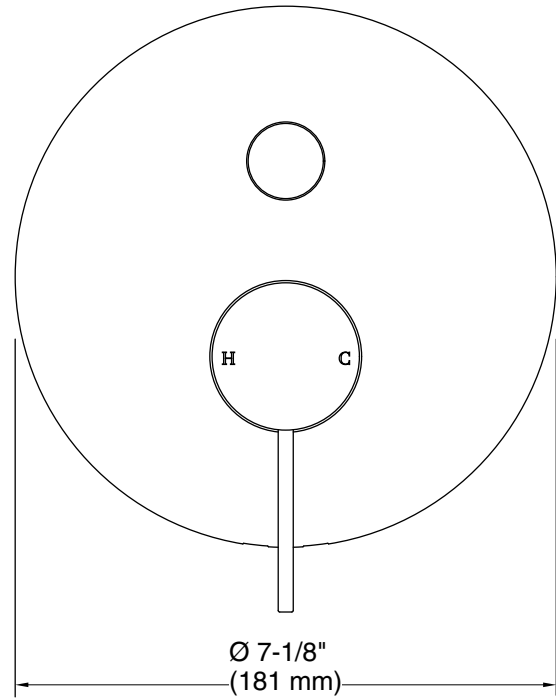
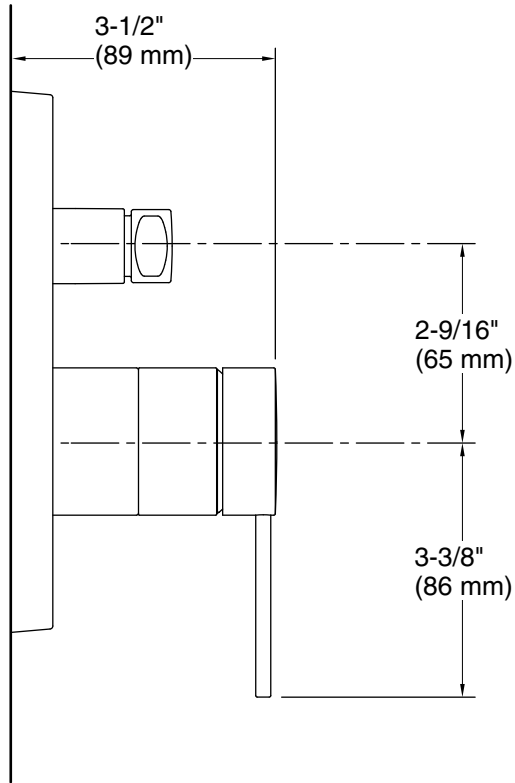
- Semi-recessed into wall



### Codes/Standards

Plumbing Standards  
GB 18145

See website for detailed warranty information.



**Technical Information**

All product dimensions are nominal.

Drain included: No

**Notes**

Install this product according to the installation instructions.