

# KOHLER<sup>®</sup> Faucets

## Components™ Modulo™

Thermostatic bath & shower valve and trim with Pin handles

### K-78024T-4A

#### Features

- Two Pin handles control water outlet and temperature/volume
- Red/blue indexing
- Temperature memory allows faucet to be turned on and off at the temperature set during prior usage
- Includes valve
- Coordinates with Components faucets, accessories, and showering components to complete your bathroom

#### Material

- Premium metal construction
- KOHLER<sup>®</sup> finishes resist corrosion and tarnishing

#### Technology

- Thermostatic technology automatically maintains temperature within +/- 0.4°C (+/- 0.72°F) during water pressure fluctuations

#### Installation

- Semi-recessed into wall

#### Adapters, Rough-in and Extension Kits

1226019.ASM

Range: 3-5/16" (85 mm) -  
4-3/4" (121 mm)



#### Codes/Standards

Plumbing Standards  
QB/T 2806

See website for detailed warranty information.

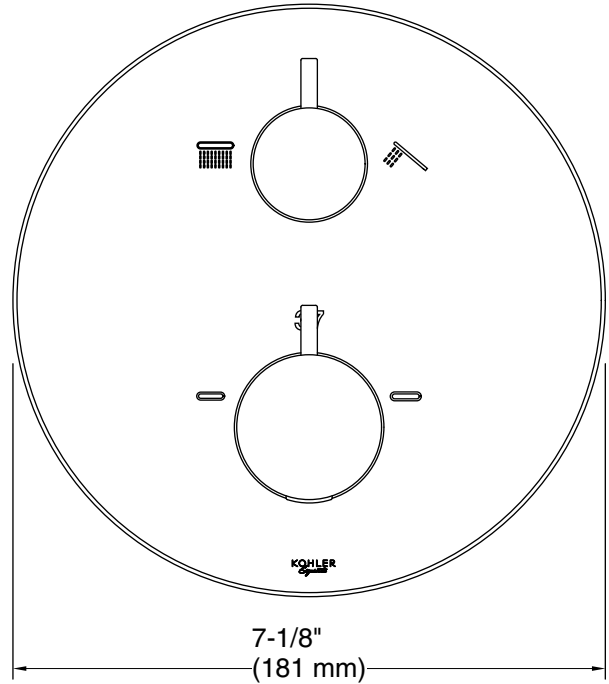
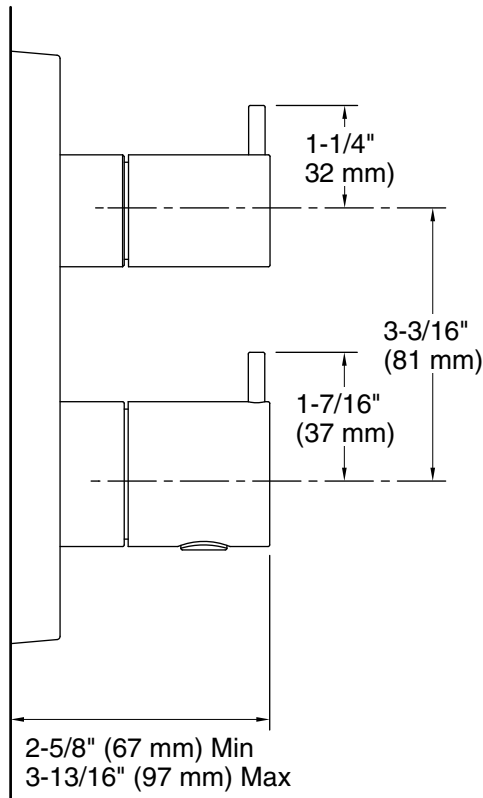
Call Center: 0-2204-6222

Kohler Co. reserves the right to make revisions without notice to product specifications.

For the most current Specification Sheet, go to [www.KohlerAsiaPacific.com](http://www.KohlerAsiaPacific.com).

10-31-2023 10:16 K-78024T-4A\_K4\_spec - TH/CN/ID/KR/PH/TW/VN

THE BOLD LOOK  
OF **KOHLER**<sup>®</sup>



### Technical Information

All product dimensions are nominal.

Drain included: No

### Notes

Install this product according to the installation instructions.