

KOHLER[®] Faucets

Components™ Modulo™

Thermostatic bath & shower valve and trim with Oyl handles
handles
K-78024T-8

Features

- Two Oyl handles control water outlet and temperature/volume
- Red/blue indexing
- Temperature memory allows faucet to be turned on and off at the temperature set during prior usage
- Includes valve
- Coordinates with Components faucets, accessories, and showering components to complete your bathroom

Material

- Premium metal construction
- KOHLER[®] finishes resist corrosion and tarnishing

Technology

- Thermostatic technology automatically maintains temperature within $\pm 0.4^{\circ}\text{C}$ ($\pm 0.72^{\circ}\text{F}$) during water pressure fluctuations

Installation

- Semi-recessed into wall

Adapters, Rough-in and Extension Kits

1226019.ASM

Range: 3-5/16" (85 mm) -
4-3/4" (121 mm)

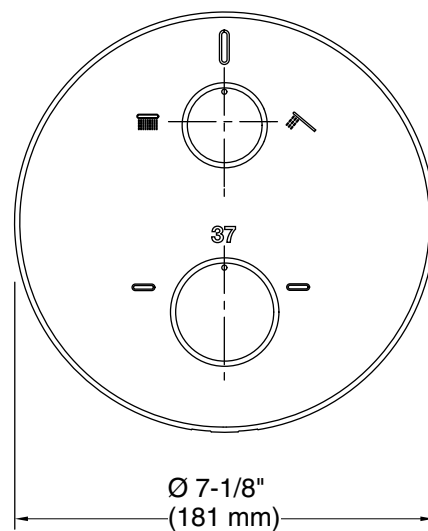
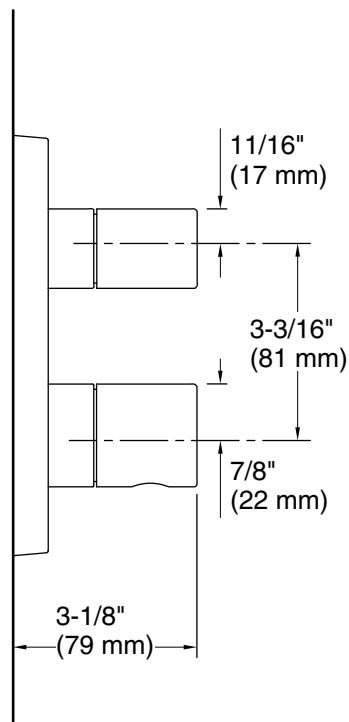


Codes/Standards

Plumbing Standards
GB 18145

See website for detailed warranty information.

KOHLER Faucets Thermostatic bath & shower valve and trim with Oyl handles
Components™ Modulo™
K-78024T-8



Technical Information

All product dimensions are nominal.

Notes

Install this product according to the installation instructions.