

BEFORE YOU BEGIN

安装之前

- Please read these instructions carefully to familiarize yourself with the required tools, materials, and installation sequences. Follow the sections that pertain to your particular installation. This will help you avoid costly mistakes. In addition to proper installation, read all operating and safety instructions.
 - All information in these instructions is based upon the latest product information available at the time of publication. Kohler China reserves the right to make changes in product characteristics, packaging, or availability at any time without notice.
 - These instructions contain important care, cleaning, and warranty information-**please leave instructions for the consumer.**
 - HARKEN bathroom cabinet adopts natural birch wood and E1 grade birch wood-based panel of high quality, and with further processing, its harmful emissions will be less than 1.5mg/L.
 - Turn off the water supply.
 - The plumbing installation must comply with Water Supply Regulations/Bye-laws, Building Regulations or any particular regulations and practices, specified by the local water company or water undertakers. The installation should be carried out by a plumber.
 - Before installation carefully inspect the new fixture for any signs of damage.
 - This product complies with GB 24977-2010.
- 请仔细阅读本指引，以便熟悉所需工具、材料及安装程序。请遵照适用的章节来安装本产品，以免安装失当导致不必要的损失。除了有关正确的安装方法之外，还务请详阅所有操作及安全指引。
 - 本指引所载之一切资料，均以印刷时所有之最新产品情况为基础，科勒中国保留权利随时更改产品特性、包装或供应情况，恕不另行通知。
 - 本指引也包含了有关保养、清洁及担保等重要资料-请交予用户保存。
 - 茜卡浴室柜选用天然桦木实木及E1级优质人造板贴天然桦木皮精心加工而成，其有害气体释放量少于1.5mg/L。
 - 关闭供水。
 - 管道安装必须遵循当地所有给排水、建筑或者其他的特别规定。管道安装人员必须具备相应资格。
 - 安装之前，仔细检查新产品是否有损伤。
 - 本产品符合GB 24977-2010。

ORDERING INFORMATION

订购信息

This installation covers the following products in the HARKEN range:

此安装说明书适用于以下茜卡系列家具的安装：

HARKEN CABINET 900mm.....K-78197T
HARKEN CABINET 1200mm.....K-78198T

茜卡浴室柜900mm.....K-78197T
茜卡浴室柜1200mm.....K-78198T

SAFETY WARNINGS

安全警告

Kohler products are precision-engineered and should give continued superior and safe performance, provided:

科勒产品经过精确制造，性能卓越，经久耐用。为保证产品品质，您必须：

1. They are installed, commissioned, operated and maintained in accordance with the recommendations given in this Manual.
2. Periodic attention is given, as necessary, to maintain the product in good functional order. Recommended guidelines are given in the **MAINTENANCE** section.

1. 按照此手册中推荐的方法进行安装、起动、操作及维护。
2. 如有需要，定期检查，令产品保持良好性能状态。日常维护章节中列有推荐方法。

Carefully inspect the new fixture for any signs of damage.

仔细检查新产品是否有损伤。

When installing Kohler Products, manufacturers guidelines for power tool safety should be followed.

在安装科勒产品时，必须遵循制造商相关电动工具的安全的指令。

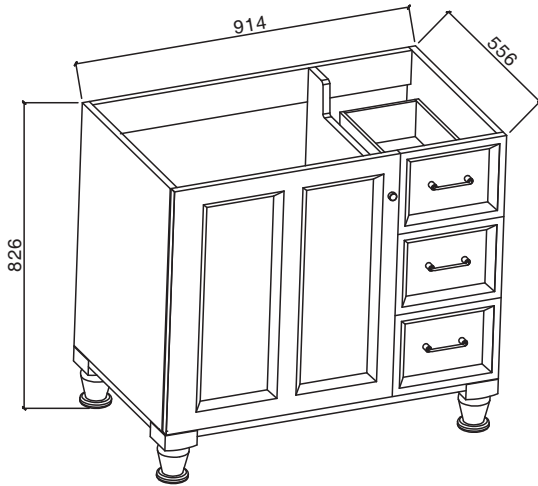
KOHLER CHINA INVESTMENT CO., LTD NO.158, JIANG CHANG SAN ROAD,
JING'AN DISTRICT, SHANGHAI, PRC POST CODE: 200436
科勒(中国)投资有限公司 上海市静安区江场三路158号 邮编：200436

ROUGHING-IN

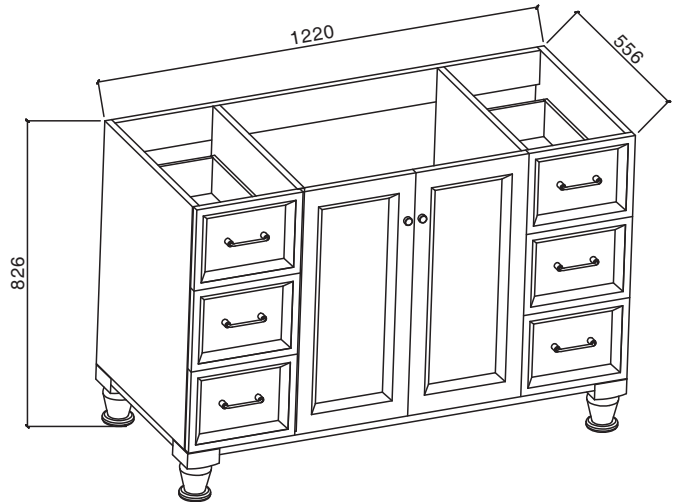
尺寸图

Reference Value
参考值

UNIT : mm
单位: 毫米



K-78197T
Cabinet 900mm
浴室柜900mm



K-78198T
Cabinet 1200mm
浴室柜1200mm

Fig.1
图1

Kohler reserves the right to change marked dimensions without prior notice.
科勒公司保留随时变更图中标示尺寸的权利, 无需另行通知。

INSTALLATION

安装

A. Install Washbasin Cabinet

Install the services.
Hot (H) and Cold (C) inlets must be connected to the correct inlet pipes.
Install the drain in accordance with the manufacturer's instructions.
We suggest using P-trap drain. Connect P-trap pipe with washbasin drain.

CAUTION! Make sure a watertight seal exists on all washbasin drain connections.

CAUTION! Provide access to the plumbing connections for future plumbing maintenance.

NOTE: The hot and cold water supplies must be installed with isolating valves.

A. 安装脸盆柜

安装管道。
热水(H)及冷水(C)入口必须连接至正确的进水管。
根据制造商说明书安装排水。

我们建议采用墙排水方式, 使用P弯管连接脸盆去水。

小心! 请确保所有脸盆排水的连接处都装有防水密封圈。

小心! 管道连接处需留有检修空间, 以备日后管道维护之用。

注意: 安装冷热供水管时必须使用隔离阀。

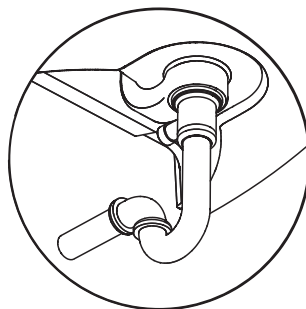


Fig.2
图2

1. Put the cabinet upright and place it at a desired position in the bathroom. Adjust the adjustable feet to make the cabinet level, as shown in Fig.3.

Note: Make sure the middle foot contacts with ground.

1. 将浴室柜立起，放在浴室合适的位置，上下调节调整脚，将产品水平放置到位，如图3。

注意：确保中脚与地面接触。

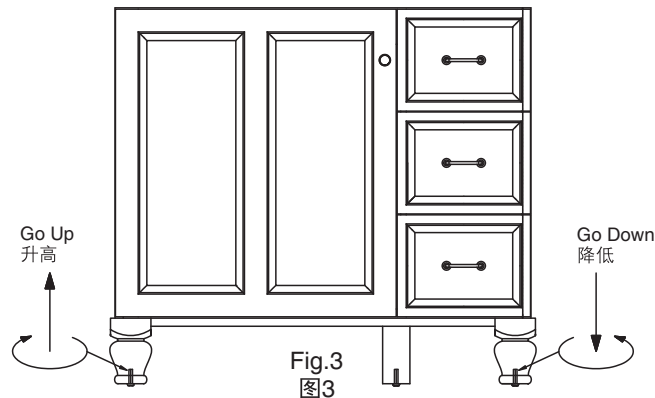
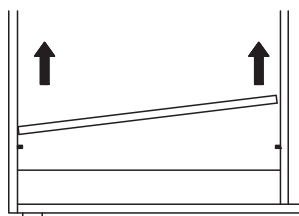


Fig.3
图3

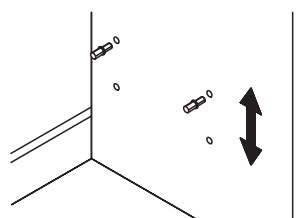
2. Adjust position of the adjustable shelf as shown in Fig.4.

2. 如图4所示，调节活动隔板位置。



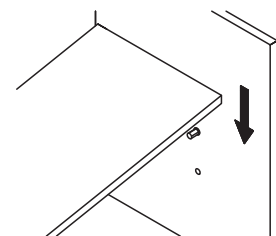
Lift the shelf to remove it.
向上拿出隔板。

a



Adjust position of the shelf support.
调节隔板销位置。

b



Press down the shelf.
向下压入隔板。

c

Fig.4
图4

3. Adjust the hinge cover in 3 direction to make sure the door is level. As shown in Fig.5.

3. 如图5所示三向调节门板位置。

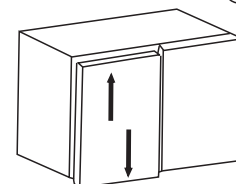
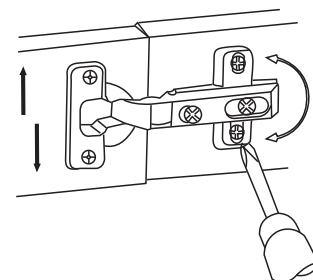
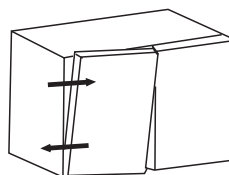
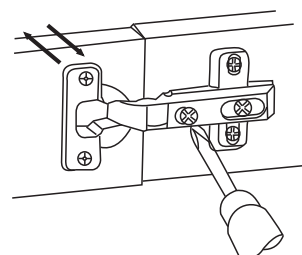
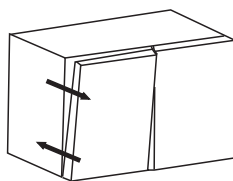
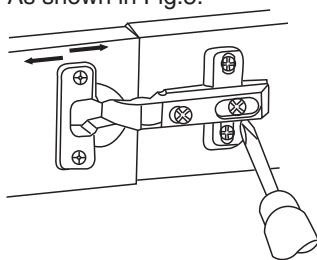


Fig.5
图5

4. Place the hinge cover and plastic cover.

4. 装上门铰盖，盖上塑料孔盖。

Install the Synthetic Top

Note: Please refer to the installation instructions of synthetic top for its installation. To protect the cabinet from dampness, please apply silicone sealant where the synthetic top and the cabinet connect.

安装台盆

注：台盆的安装请参照台盆安装说明书，请在台盆和柜体连接处打上密封胶，以防止水分侵入柜体。

Connect Drainage

连接排水管

1. Inwall drainage (P-Trap)

Please install the drain assembly and faucet as shown.
Please set the water supply and drainage position according to the suppliers instructions.

1. 入墙式排水管(P弯管)

请按照如图所示安装排水管和龙头。请遵照供应商所提供的说明在墙上设置进/排水管位置。

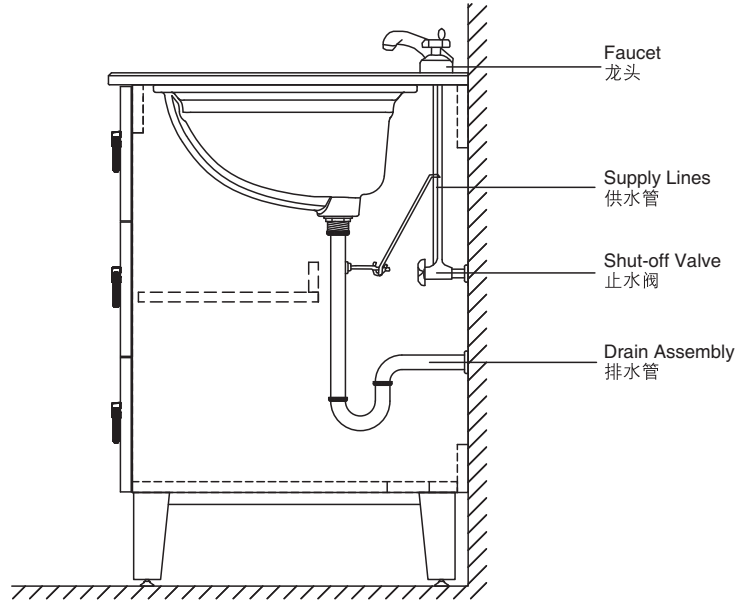


Fig.6
图6

2. Floor drainage (S-Trap)

Please install the drain assembly and faucet as shown.
Please set the water supply and drainage position according to the suppliers instructions.

2. 地排水 (S弯管)

请按照如图所示设置排水管和龙头。请遵照供应商所提供的说明设进水管位置。

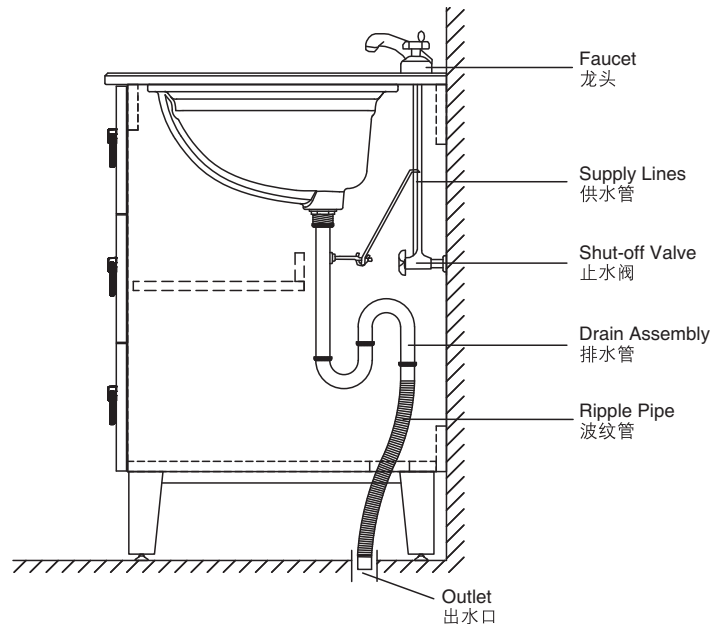


Fig.7
图7

USER MAINTENANCE

日常维护

Warning! Risk of product damage.

1. Many cleansers contain abrasive and chemical substance which is not suitable for cleaning stainless steel, enamel, plating or plastic products. You may use mild cleansers or soaps to clean the surfaces. Wipe any splashes of cleaner solutions from the surface with clean soft cloth.
2. Maintain ventilation in the bathroom, and separate the dry area from the damp one if conditions permit. Try to open the door and windows of the bathroom and maintain good ventilation.
3. Kohler bathroom cabinet are dealt with strict procedures for damp-proof, whose good damp-proof function ensures good performance even in bathroom of huge humidity. Yet do not splash and pour water directly on the bathroom cabinet. Make sure that the bathroom is not over damp and wipe any splashes from surfaces immediately.
4. Maintenance of door board: Clean and wipe door board regularly, and wipe the condensation vapor with dry and soft cloth.
5. Ensure that electrical connections for appliances such as head lamp is insulated wipe mirror surface with chamois regularly to guarantee the persistent excellent performance.
6. Please do not sit, lean or step on the basin cabinet.
7. If any fixtures caused by abnormal reasons, Kohler China can supply paid replacement for service parts caused by abnormal reasons as shown in the Service Parts Page in the limited duration of warranty.

警告！小心产品受损。

1. 许多清洁剂都含有研磨剂及化学物质，不可用于清洁不锈钢、搪瓷、镀层或塑料制品。这些表面须使用温和的清洁剂或皂液进行清洁，将残余洗涤剂洗干净，然后用干净的软布擦干。
2. 卫生间请保持良好的通风状态，有条件的可以干、湿分离，平常尽量保持浴室空气畅通，养成开窗开门的习惯。
3. 科勒浴柜都经过严格的防潮处理，但防潮并不是防水，使用时不可随意任浴柜被水浇、溅。良好的防潮性能可以保证在高相对湿度时仍有良好使用性，所以请避免卫生间过于潮湿，遇有水迹要及时擦干。
4. 门板的保养：经常用软布定期清洁、擦拭，洗浴后的冷凝水蒸气应用干布擦净，保持门板的干爽。
5. 照明灯等电器连接要确保绝缘、防潮镜面最好用麂皮经常擦拭，可以保障使用质量经久如一。
6. 日常使用时，请勿坐、倚、靠、踩踏在脸盆柜上。
7. 科勒公司确保在担保期内，可以提供因非正常原因造成的如维修零件图中零件的有偿更换。