



# Highline Arc® | K-78305

The Complete Solution® tall two-piece elongated toilet, 1.28 gpf

## Features

- Two-piece design
- Elongated bowl offers added room and comfort
- Tall height offers seating 2-1/2" (63.5 mm) higher than Comfort Height® for enhanced comfort, ease of sitting and standing, and gracious accessibility
- 1.28 gpf (4.8 lpf)
- Left-hand Polished Chrome trip lever
- 2-1/8" (54 mm) fully glazed trapway
- The Complete Solution toilets provide everything you need, including bowl, tank, seat, wax ring, and hardware
- Precision-engineered tank, bowl, and trapway create strong siphon during flushing
- Class Five® canister optimizes the flow out of the tank, harnessing gravity and the natural, powerful reducing cascade of water to increase the power and effectiveness of the flush



## Sustainability



## Available Colors/Finishes

*Color tiles intended for reference only.*

- 0 White
- 96 Biscuit



1-800-4KOHLER (1-800-456-4537)  
Kohler Co. reserves the right to make revisions without notice to product specifications.  
For the most current specification sheet, go to [www.kohler.com](http://www.kohler.com) USA or [www.kohler.ca](http://www.kohler.ca) Canada.  
3-27-2026 17:38 - US-CA

THE BOLD LOOK  
OF **KOHLER**®

## Codes/Standards

*Accessibility standards may require controls to be located on the open side of the toilet.*

*Plumbing codes may require elongated toilets and elongated, open-front seats in public bathrooms.*



ASME A112.19.2/CSA B45.1

DOE - Energy Policy Act 1992

EPA WaterSense®

California Energy Commission (CEC)

## Technical Information

Rough-in:	Standard 12" (305mm)
Flush Type:	Class Five
Flush Rate:	1.28 gpf (4.8 lpf)
Bowl Shape:	Elongated
Seat-Mounting Holes:	5-1/2" (140 mm)
Waste Outlet:	Floor
Trapway Size:	2-1/8" (54 mm)
Trapway Type:	Exposed
Water Surface Size:	9-1/4" x 6-1/2" (235 mm x 165 mm)
Rim to Water Surface:	6-3/8" (161 mm)

## Recommended Products/Accessories

K-23726 Drain treatment

K-5588 Deodorizing elongated toilet seat

## Warranty

*See website for detailed warranty information.*

KOHLER® Toilets and Seats Limited Warranty

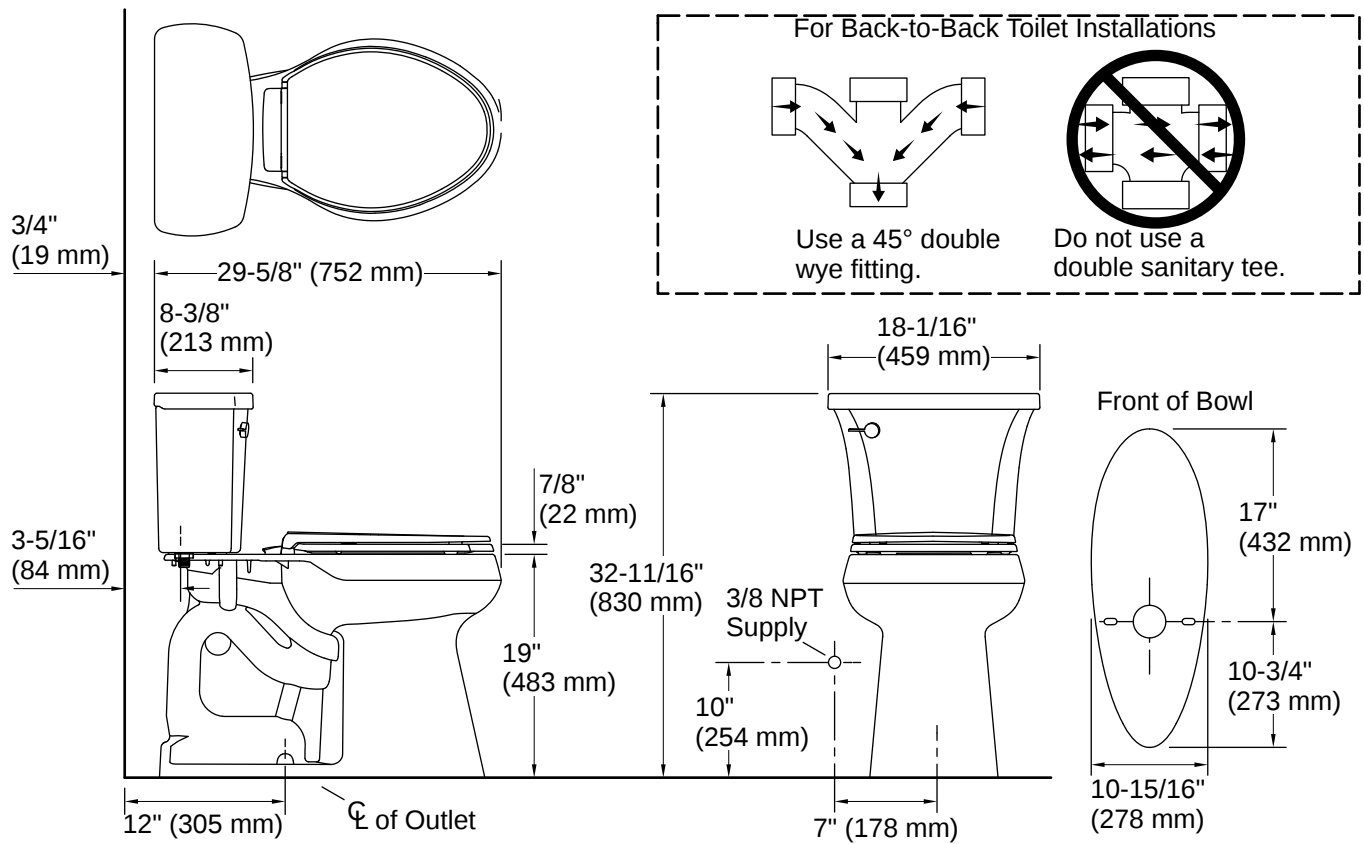


1-800-4KOHLER (1-800-456-4537)

Kohler Co. reserves the right to make revisions without notice to product specifications.

For the most current specification sheet, go to [www.kohler.com](http://www.kohler.com) USA or [www.kohler.ca](http://www.kohler.ca) Canada.

3-27-2026 17:38 - US-CA



## Installation

- Three-bolt quick-connect installation
- Standard 12" (305 mm) rough-in
- Supply line sold separately

## Installation Notes

*Install this product according to the installation instructions.*

Product dimensions are nominal and may vary per ASME A112.19.2 tolerances.

