

## Features

- 33" minimum base cabinet width
- Single bowl
- 9" (229 mm) depth provides generous workspace
- Single faucet hole
- Rear drain placement increases cabinet storage space underneath sink
- Includes installation hardware
- Includes sink drain and strainer

## Material

- Handcrafted from 18-gauge stainless steel

## Installation

- Top-mount or undermount

## Recommended Products/Accessories

K-23995 sink rack for K-80169

## Optional Products/Accessories

K-11352 Disposal Flange with Stopper

## Included Components

1177160 Hardware Kit, Self-Rimming  
7400 Stainless Steel Sink Drain and Strainer

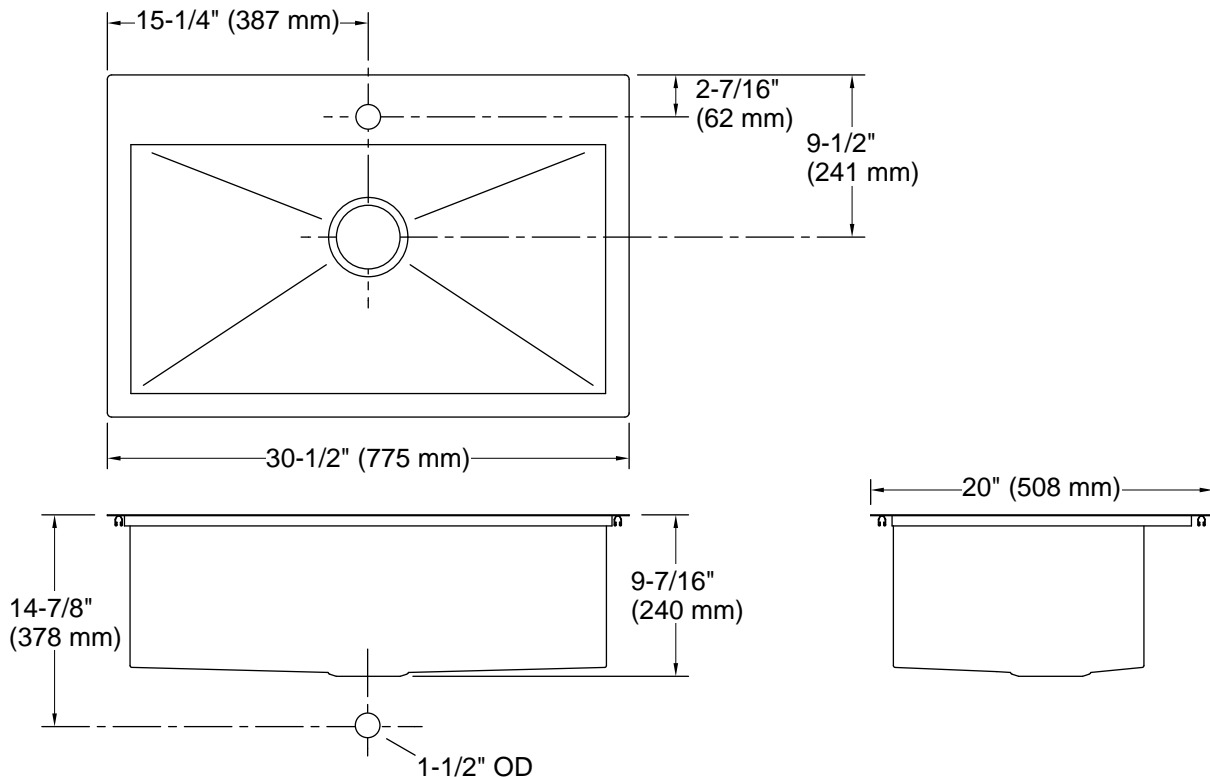


## Codes/Standards

ASME A112.19.3/CSA B45.4  
IAPMO Certification

## KOHLER® Stainless Steel Sinks Lifetime Limited Warranty

See website for detailed warranty information.



### Technical Information

All product dimensions are nominal.

Basin configuration: Single Bowl  
Min. base cabinet width: 33" (838 mm)

Bowl area (Only): Length: 27-3/4" (705 mm)  
Width: 14-9/16" (370 mm)  
Bowl depth: 9-1/8" (232 mm)  
Water depth: 9-1/8" (232 mm)

Number of deck holes: 1

Template: Top-mount/Under-mount, 1345371-7, required, included

### Notes

Install this product according to the installation instructions.

NOTICE: Countertop manufacturer or cutter must use the cut-out template provided with the product, or a current one provided by Kohler Co. (call 1-800-4-KOHLER). Kohler Co. is not responsible for cutout errors when the incorrect cut-out template is used.