



**Vault™**  
23" top-/undermount single-bowl kitchen sink  
**K-80170-1**

**Features**

- 26" (660 mm) minimum base cabinet width
- Single bowl
- 9" (229 mm) depth provides generous workspace
- Single faucet hole
- Rear drain placement increases cabinet storage space underneath sink
- Includes installation hardware
- Includes sink drain and strainer

**Material**

- Handcrafted from 18-gauge stainless steel

**Installation**

- Top-mount or undermount

**Optional Products/Accessories**

K-11352 Disposal Flange with Stopper

**Included Components**

1177160 Hardware Kit, Self-Rimming  
7400 Stainless Steel Sink Drain and Strainer

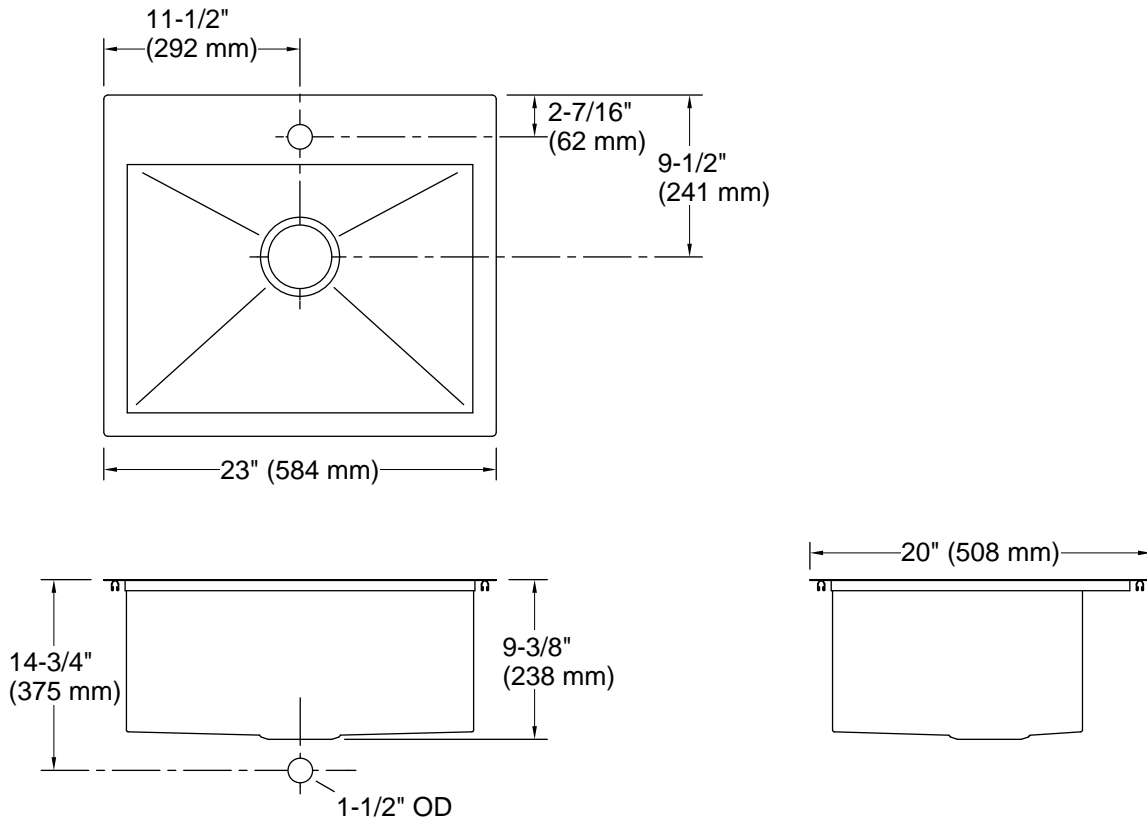


**Codes/Standards**

ASME A112.19.3/CSA B45.4  
IAPMO Certification

**KOHLER® Stainless Steel Sinks  
Lifetime Limited Warranty**

See website for detailed warranty information.



## Technical Information

All product dimensions are nominal.

Basin configuration:	Single Bowl
Min. base cabinet width:	27" (686 mm)
Bowl area:	Bowl depth: 9" (229 mm)
Number of deck holes:	1
Drain hole:	3-3/4" (94 mm)

## Notes

Install this product according to the installation instructions.

**NOTICE:** Countertop manufacturer or cutter must use the cut-out template provided with the product, or a current one provided by Kohler Co. (call 1-800-4-KOHLER). Kohler Co. is not responsible for cutout errors when the incorrect cut-out template is used.