

### Features

- Valvet® valves
- Pop-up drain with lift rod and tailpiece
- Lever handles
- 1-1/4" (32 mm) spout
- Lower flow aerator options are available
- 0.5 gpm (1.9 lpm) maximum flow rate at 60 psi (4.14 bar)

### Material

- Brass
- Brass valve bodies

### Installation

- For 5-1/2" (140 mm) centers

### Recommended Products/Accessories

- K-23726 Drain treatment
- K-23723 Faucet cleaner

### Optional Products/Accessories

- 1160594 .35 gpm Aerator, Large



**ADA** **CSA B651** **OBC**

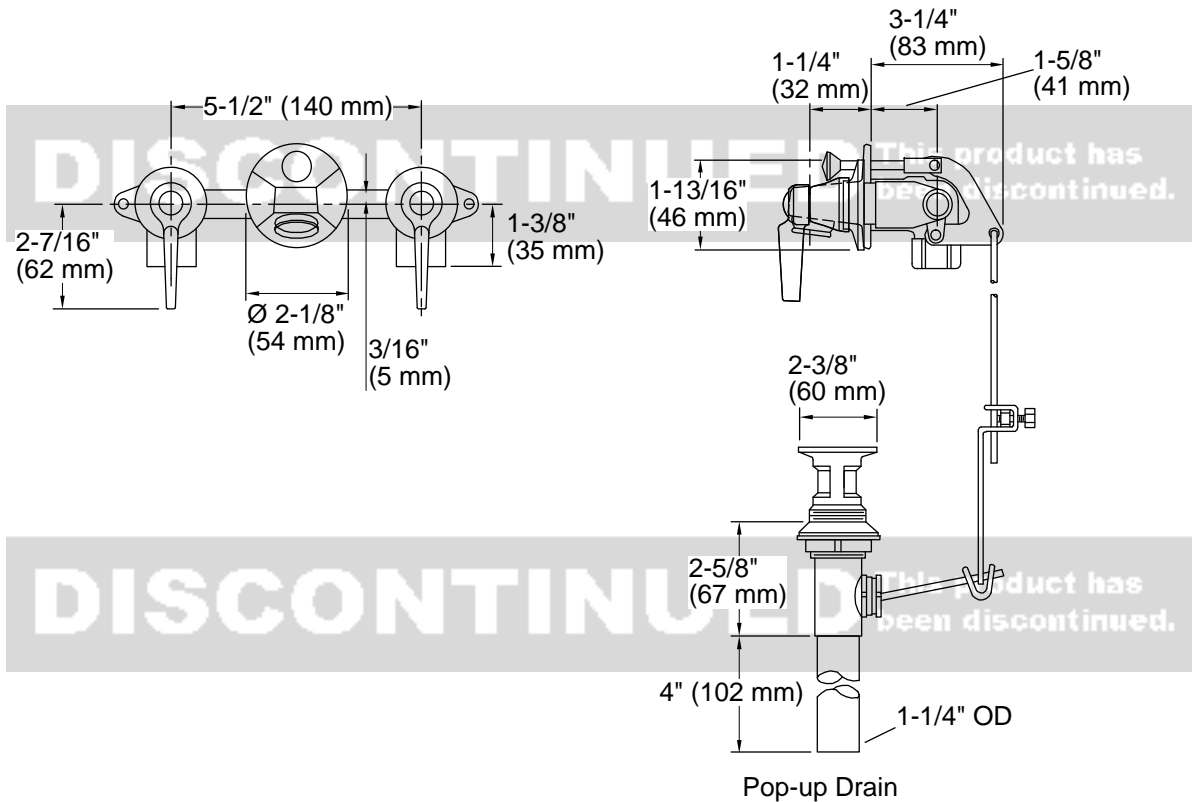
### Codes/Standards

ASME A112.18.1/CSA B125.1  
NSF/ANSI/CAN 61  
NSF/ANSI/CAN 372  
All applicable US Federal and State material regulations  
DOE - Energy Policy Act 1992  
California Energy Commission (CEC)  
ADA  
ICC/ANSI A117.1  
CSA B651  
OBC  
IAPMO Certification

### KOHLER® One-Year Limited Warranty

See website for detailed warranty information.

Touchless single-hole lavatory faucet with Insight™ sensor technology, HES-powered, 0.5 gpm  
**K-8040-4N**



### Technical Information

All product dimensions are nominal.

#### Faucet:

Flow rate: 0.5 gal/min (1.9 l/min)

Drain included: Yes

Drain tailpiece included: Yes

#### Spout:

Spout reach: 1-1/4" (32 mm)

### Notes

Install this product according to the installation guide.

ADA compliant for handles only.

ADA, OBC, CSA B651 compliant when installed to the specific requirements of these regulations.