

Features

- Valvet® valves
- Grid drain with tailpiece
- Standard handles
- 1-1/4" (32 mm) spout
- Lower flow aerator options are available
- 0.5 gpm (1.9 lpm) maximum flow rate at 60 psi (4.14 bar)

Material

- Brass
- Brass valve bodies

Installation

- For 5-1/2" (140 mm) centers

Recommended Products/Accessories

- K-23726 Drain treatment
- K-23723 Faucet cleaner

Optional Products/Accessories

- 1160594 .35 gpm Aerator, Large

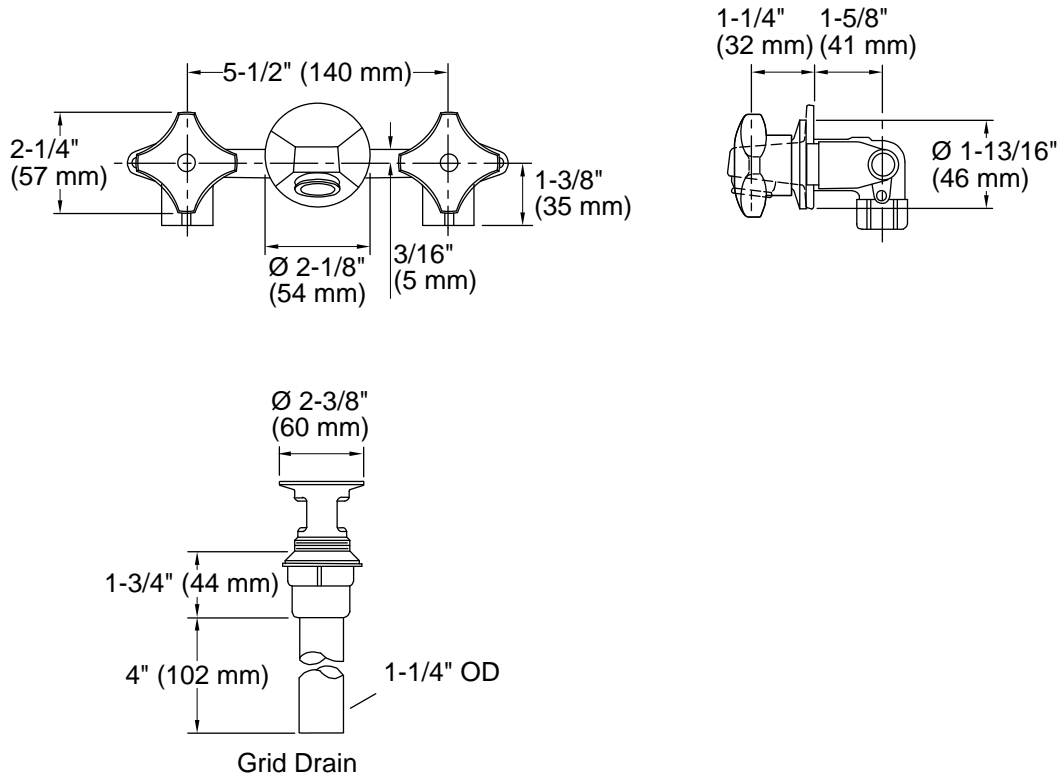


Codes/Standards

- ASME A112.18.1/CSA B125.1
- NSF/ANSI/CAN 61
- NSF/ANSI/CAN 372
- All applicable US Federal and State material regulations
- DOE - Energy Policy Act 1992
- California Energy Commission (CEC)
- IAPMO Certification

KOHLER® One-Year Limited Warranty

See website for detailed warranty information.



Technical Information

All product dimensions are nominal.

Faucet:

Flow rate: 0.5 gal/min (1.9 l/min)

Drain included: Yes

Drain tailpiece included: Yes

Spout:

Spout reach: 1-1/4" (32 mm)

Notes

Install this product according to the installation guide.