

Features

- For use with the K-18829 2" x 4" in-wall tank and carrier system

Recommended Products/Accessories

- K-23251-F Flush actuator plate
- K-23252-F Dual-flush actuator plate
- K-78041 Dual-flush touchless actuator plate

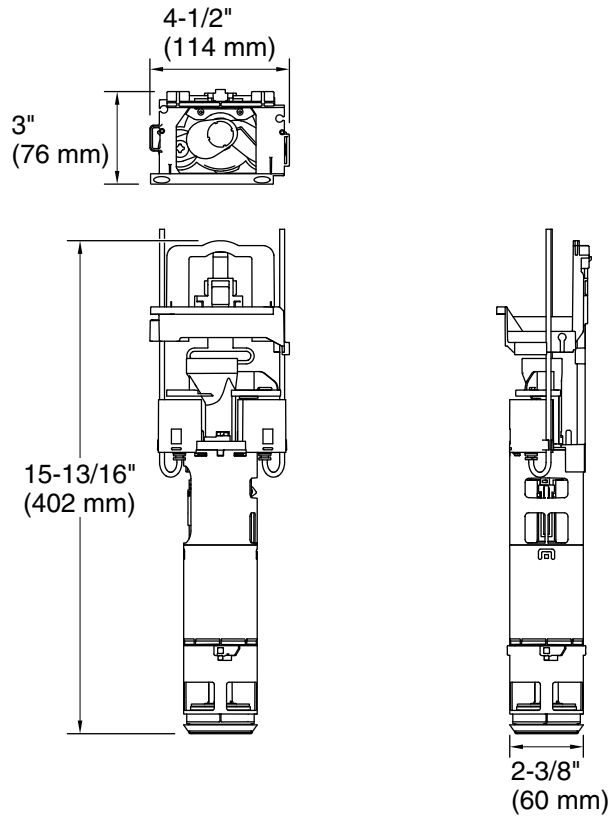


Codes/Standards

ASME A112.19.5/CSA B45.15
IAPMO Certification

KOHLER® One-Year Limited Warranty

See website for detailed warranty information.



Technical Information

All product dimensions are nominal.

Toilet type: In-wall mount

Waste Outlet: Wall

Flush type: Dual-Flush Technology

Fixture Supply Requirements

Max static pressure: 80 psi (551.6 kPa)

Notes

Install this product according to the installation instructions.