

### Features

- Brass construction and valve bodies
- Durable Polished Chrome plate finish
- Quarter-turn washerless ceramic disc valves
- Vandal-resistant aerator
- Vandalproof ADA-compliant lever handles with red and blue indexing
- 8-3/16" (208 mm) swing spout
- Less drain
- 1.5 gpm (5.7 lpm) maximum flow rate at 60 psi (4.14 bar)
- Complies with the Safe Drinking Water Act (SDWA)

### Installation

- For 8" (203 mm) centers

### Recommended Products/Accessories

K-23723 Faucet cleaner



ADA

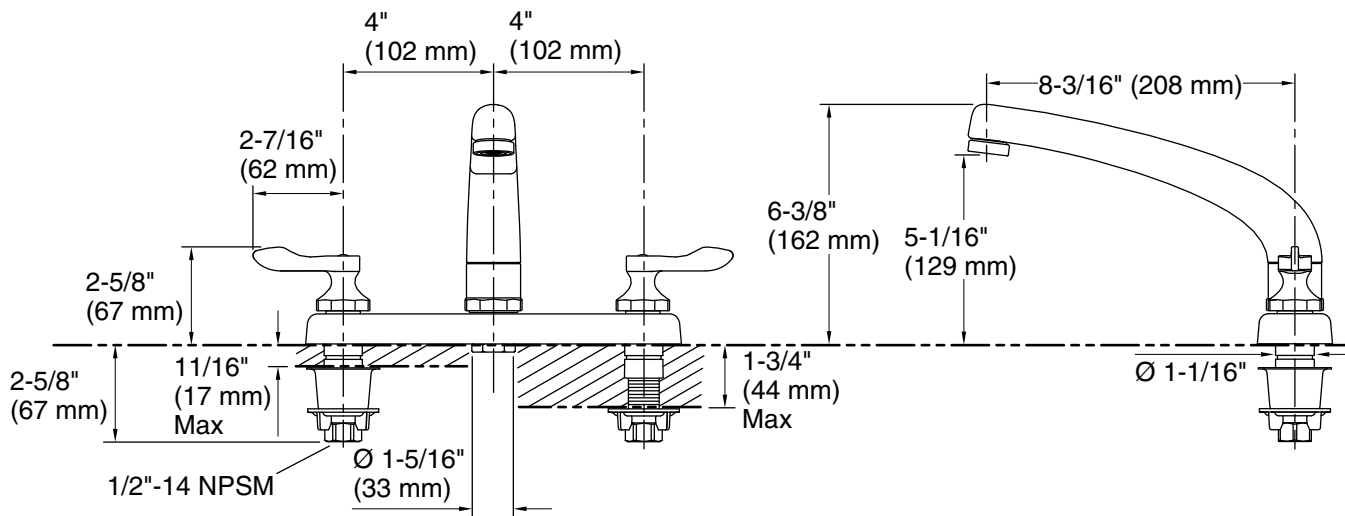
CSA B651

### Codes/Standards

ASME A112.18.1/CSA B125.1  
NSF/ANSI/CAN 61  
NSF/ANSI/CAN 372  
DOE - Energy Policy Act 1992  
California Energy Commission (CEC)  
ADA  
ICC/ANSI A117.1  
CSA B651  
IAPMO Certification

### KOHLER® One-Year Limited Warranty

See website for detailed warranty information.



### Technical Information

All product dimensions are nominal.

#### Faucet:

Flow rate: 1.5 gal/min (5.7 l/min)

Drain included: No

#### Spout:

Spout reach: 8-3/16" (208 mm)

#### Handshower:

Rated maximum flow: 0 gal/min (0 l/min)

### Notes

Install this product according to the installation guide.

ADA compliant for faucet handles only

ADA, CSA B651 compliant when installed to the specific requirements of these regulations.