

Features

- 8" (203 mm) widespread faucet holes
- Rigid spout with 11" (279 mm) reach
- 1/4-turn full brass ceramic valve
- 1.8 gpm (6.8 lpm) maximum flow rate at 60 psi (4.14 bar)
- Vandal-resistant aerator
- 4-1/16" vandal-resistant metal wristblade lever handles
- Drain sold separately

Material

- Solid-brass construction with thick chrome plating for rough commercial applications

Installation

- Eccentric inlet shanks for easy installation



ADA

CSA B651

OBC

Codes/Standards

ASME A112.18.1/CSA B125.1
NSF/ANSI/CAN 61
NSF/ANSI/CAN 372
DOE - Energy Policy Act 1992
California Energy Commission (CEC)
ADA
ICC/ANSI A117.1
CSA B651
OBC

KOHLER[®] One-Year Limited Warranty

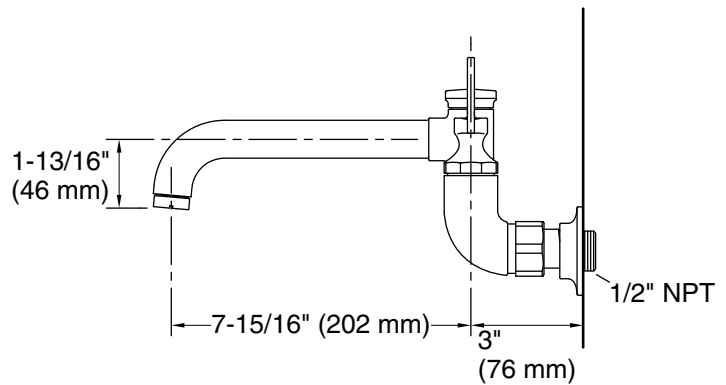
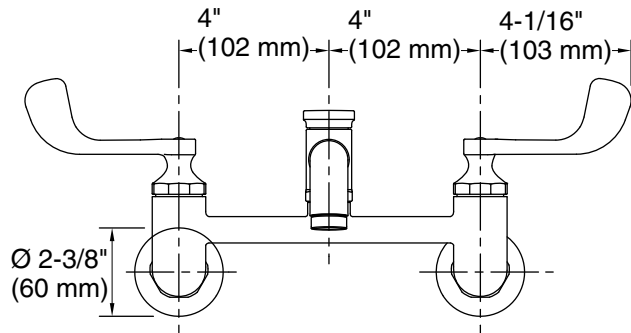
See website for detailed warranty information.

Available Colors/Finishes

Color tiles intended for reference only.

Color	Code	Description
-------	------	-------------

	CP	Polished Chrome
---	----	-----------------



Technical Information

All product dimensions are nominal.

Faucet flow rate: 1.75 gal/min (6.6 l/min)

Spout:

Spout reach: 7-15/16" (201 mm)

Handle clearance: 3" (76 mm)

Notes

Install this product according to the installation instructions.

ADA compliant for handles only.

ADA, OBC, CSA B651 compliant when installed to the specific requirements of these regulations.