

Features

- 8" (203 mm) widespread faucet holes
- Swivel/rigid gooseneck spout
- 8-3/16" (208 mm) spout reach
- 1/4-turn full brass ceramic valve
- 1.8 gpm (6.8 lpm) maximum flow rate at 60 psi (4.14 bar)
- Vandal-resistant aerator
- 4-1/16" vandal-resistant metal wristblade lever handles
- Drain sold separately

Material

- Solid-brass construction with thick chrome plating for rough commercial applications

Installation

- Eccentric inlet shanks for easy installation

Recommended Products/Accessories

K-23723 Faucet cleaner



ADA CSA B651 OBC

Codes/Standards

ASME A112.18.1/CSA B125.1

NSF/ANSI/CAN 61

NSF/ANSI/CAN 372

All applicable US Federal and State material regulations

DOE - Energy Policy Act 1992

California Energy Commission (CEC)

ADA

ICC/ANSI A117.1

CSA B651

OBC

IAPMO Certification

KOHLER[®] One-Year Limited Warranty

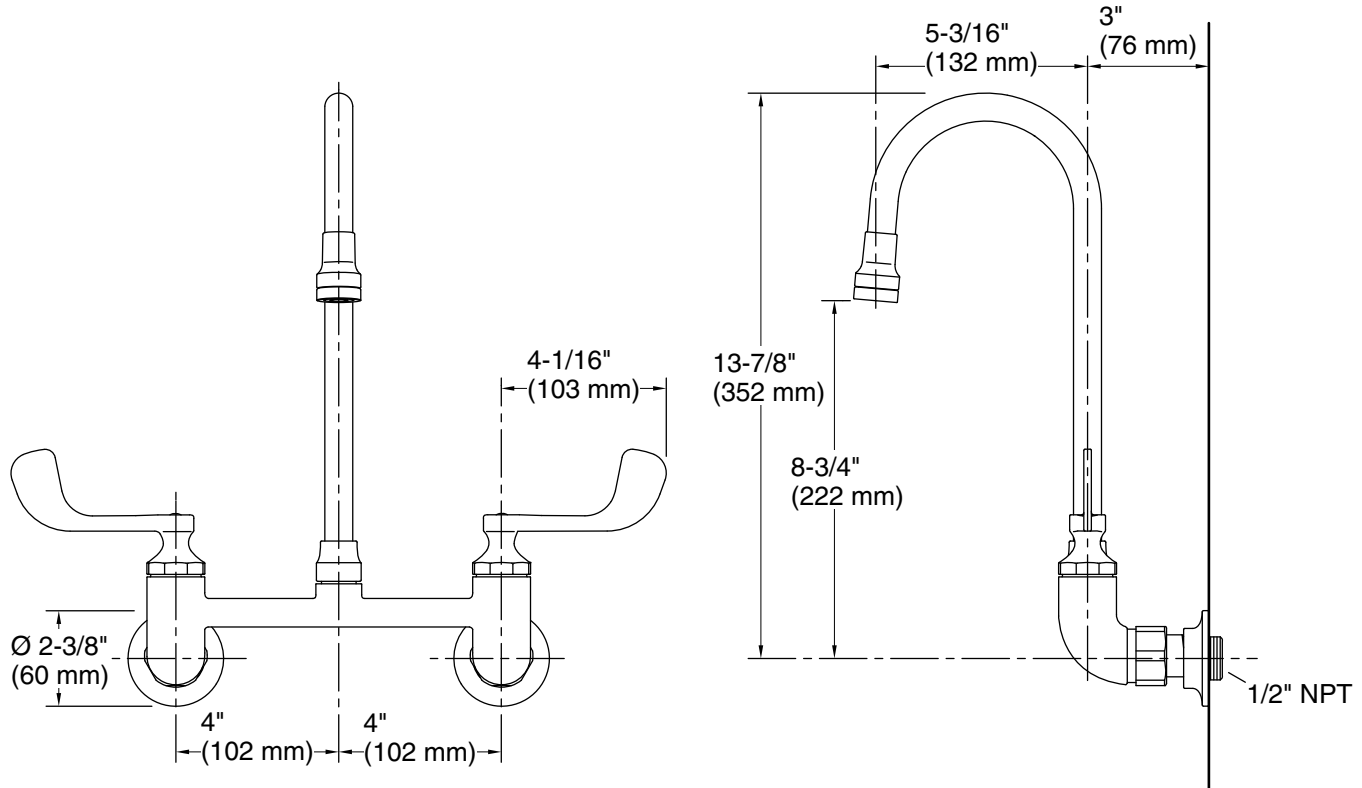
See website for detailed warranty information.

Available Colors/Finishes

Color tiles intended for reference only.

Color	Code	Description
-------	------	-------------

	CP	Polished Chrome
---	----	-----------------



Technical Information

All product dimensions are nominal.

Faucet:

Flow rate: 1.75 gal/min (6.6 l/min)

Drain included: No

Spout:

Spout reach: 5-3/16" (132 mm)

Handle clearance: 3" (76 mm)

Handshower:

Rated maximum flow: 0 gal/min (0 l/min)

Notes

Install this product according to the installation instructions.

ADA compliant for handles only.

ADA compliant for faucet handles only

ADA, OBC, CSA B651 compliant when installed to the specific requirements of these regulations.