

Features

- Hybrid heater provides continuously heated water for consistent comfort
- Sleek, handheld remote control with two programmable user presets
- Front and rear wash modes provide warm water for cleansing
- Adjustable water temperature and water pressure
- Choose oscillating or pulsating spray
- Heated seat with five adjustable temperature settings
- Self-cleaning function uses UV light to automatically clean the wand surfaces
- LED lighting illuminates the bowl to serve as a nightlight
- Warm-air drying system with adjustable temperature settings
- Automatic deodorization with carbon filter for odor control
- Quiet-Close™ functionality to prevent seat from slamming
- Grip-Tight bumpers hold seat firmly in place
- Quick-Release™ functionality allows seat to be removed easily from toilet for convenient cleaning
- Ergonomically contoured seat for user comfort
- Fits most elongated toilets

Material

- Plastic construction

Installation

- Requires connection to toilet water supply line. All hoses and connections are included
- Requires dedicated electrical GFCI circuit (120 V, 15 A, 60 Hz)



Codes/Standards



ASME A112.4.2/CSA B45.16
UL 1431
CSA C22.2 No. 64
CSA C22.2 No. 68
IAPMO Certification
cUL Listed
UL Listed

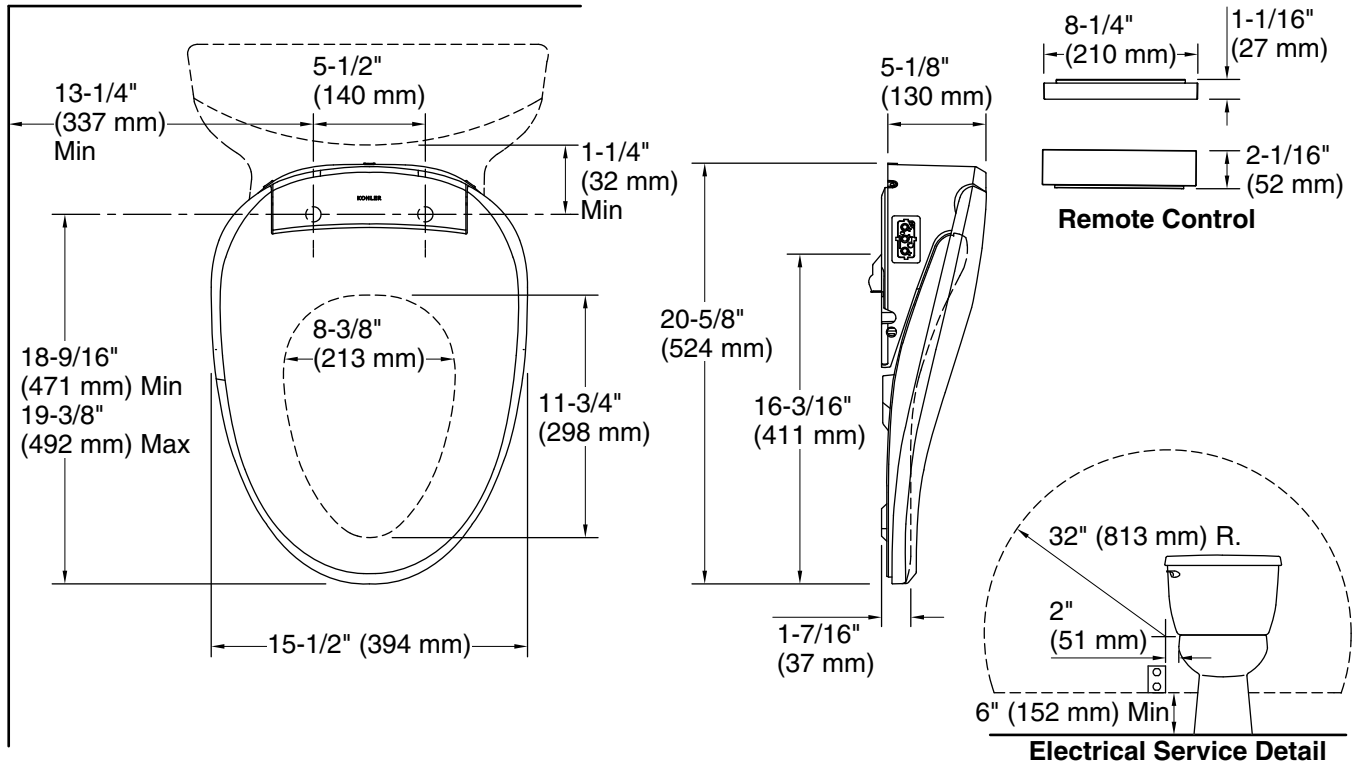
KOHLER® Intelligent Toilet and C3® Cleansing Seat Three-Year Limited Warranty

See website for detailed warranty information.

Available Colors/Finishes

Color tiles intended for reference only.

Color	Code	Description
	0	White
	96	Biscuit



Required Electrical Service

One dedicated circuit required, protected with Class A Ground-Fault Circuit-Interrupter (GFCI). Outside North America, this device may be known as a Residual Current Device (RCD).

120 V, 15 A, 60 Hz

Technical Information

All product dimensions are nominal.

Seat shape type:	Elongated
Seat front type:	Closed-front
Seat-mounting holes:	5-1/2" (140 mm)
Power cord length:	43" (1092 mm)

Notes

Install this product according to the installation instructions.

Connect the seat to a cold water supply of drinking quality water at a pressure of 20 psi - 80 psi (139 kPa - 551 kPa).

Do not install this seat in a location where: (1) water might be splashed on the product or (2) excessive moisture, high humidity levels, or condensation is present. This will avoid damage to the electronic components.

CAUTION: Risk of property damage. A single extension cord may be used provided the cord "Type" begins with "SJ", 12 gauge, grounded (12/3), no longer than 25 feet, and plugged into a GFCI outlet. Promptly replace any extension cord that exhibits any sign of damage.

To avoid possible product malfunction, do not plug in the seat until instructed to do so.

Locate the receptacle at least 6" (152 mm) above the floor, and within a 32" (813 mm) radius measured 2" (51 mm) from the bowl