

Features

- 8" (203 mm) widespread faucet holes
- Swivel/rigid gooseneck spout
- 9-11/16" (246 mm) spout reach
- 1/4-turn full brass ceramic valve
- 2.0 gpm (7.6 lpm) maximum flow rate at 60 psi (4.14 bar)
- Vandal-resistant aerator
- 4-1/16" vandal-resistant metal wristblade lever handles
- Integral Supply Stops with lock key for easy and convenient access
- Drain sold separately

Material

- Solid-brass construction with thick chrome plating for rough commercial applications

Installation

- Eccentric inlet shanks for easy installation

Recommended Products/Accessories

K-23723 Faucet cleaner



ADA

CSA B651

OBC

Codes/Standards

ASME A112.18.1/CSA B125.1

DOE - Energy Policy Act 1992

ADA

ICC/ANSI A117.1

CSA B651

OBC

IAPMO Certification

KOHLER[®] One-Year Limited Warranty

See website for detailed warranty information.

Available Colors/Finishes

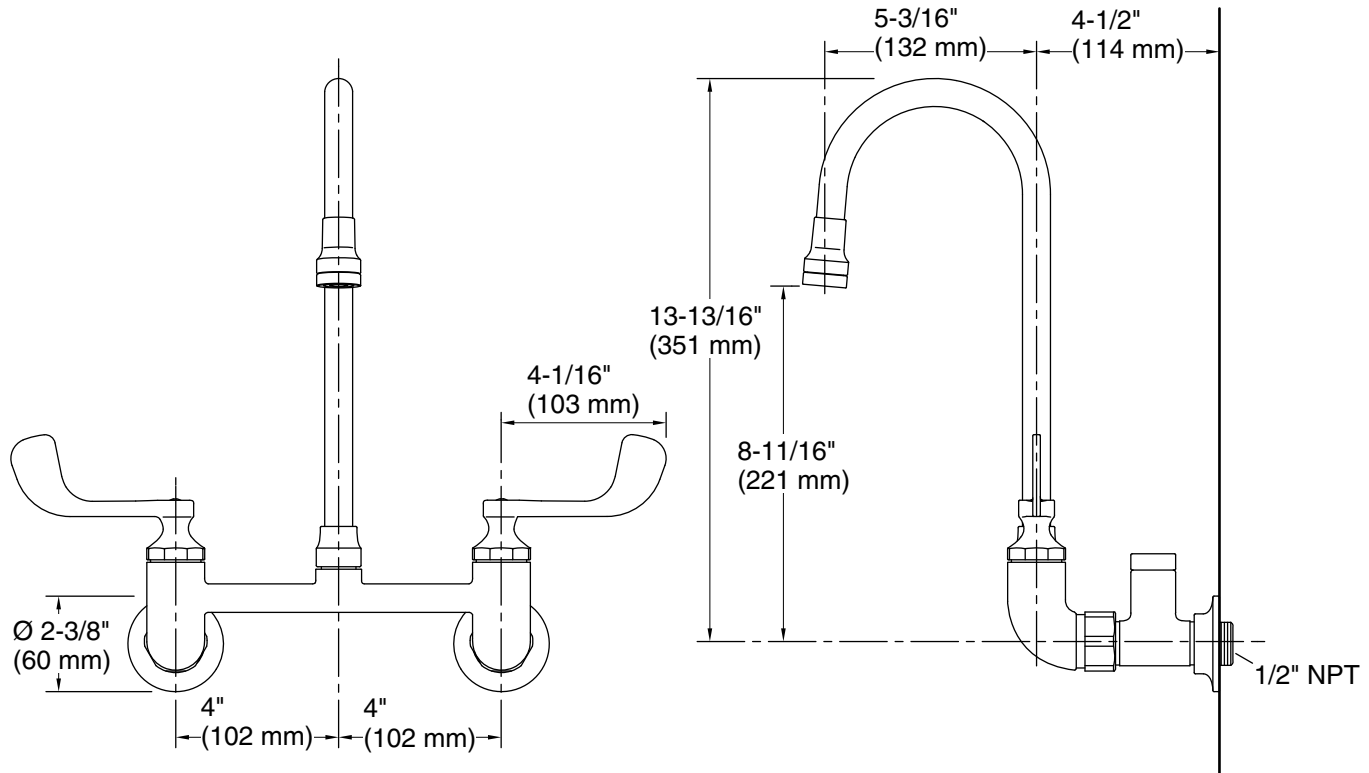
Color tiles intended for reference only.

Color	Code	Description
-------	------	-------------



CP

Polished Chrome



Technical Information

All product dimensions are nominal.

Faucet:

Flow rate: 2 gal/min (7.6 l/min)

Drain included: No

Spout:

Spout reach: $9\text{-}11/16\text{'}$ (246 mm)

Handle clearance: 3" (76 mm)

Handshower:

Rated maximum flow: 0 gal/min (0 l/min)

Notes

Install this product according to the installation instructions.

ADA compliant for faucet handles only
 ADA, OBC, CSA B651 compliant when installed to the specific requirements of these regulations.