

### Features

- Freestanding design creates a striking focal point in your bathing area
- 17-7/16" (443 mm) soaking depth
- Integral lumbar support
- Slotted overflow allows for deep soaking
- Center toe-tap drain with KOHLER Lithocast® cover
- Coordinates with other products in the Memoirs collection
- 59-11/16" (1516 mm) x 34" (864 mm) x 23-3/4" (603 mm)

### Material

- KOHLER Lithocast® Gloss cast resin

### Installation

- Freestanding

### Recommended Products/Accessories

- K-23726 Drain treatment
- K-23732 Tub & shower cleaner



### Codes/Standards

CSA B45.5/IAPMO Z124  
IAPMO Certification

### KOHLER® Plastic Baths and Shower Bases Lifetime Limited Warranty

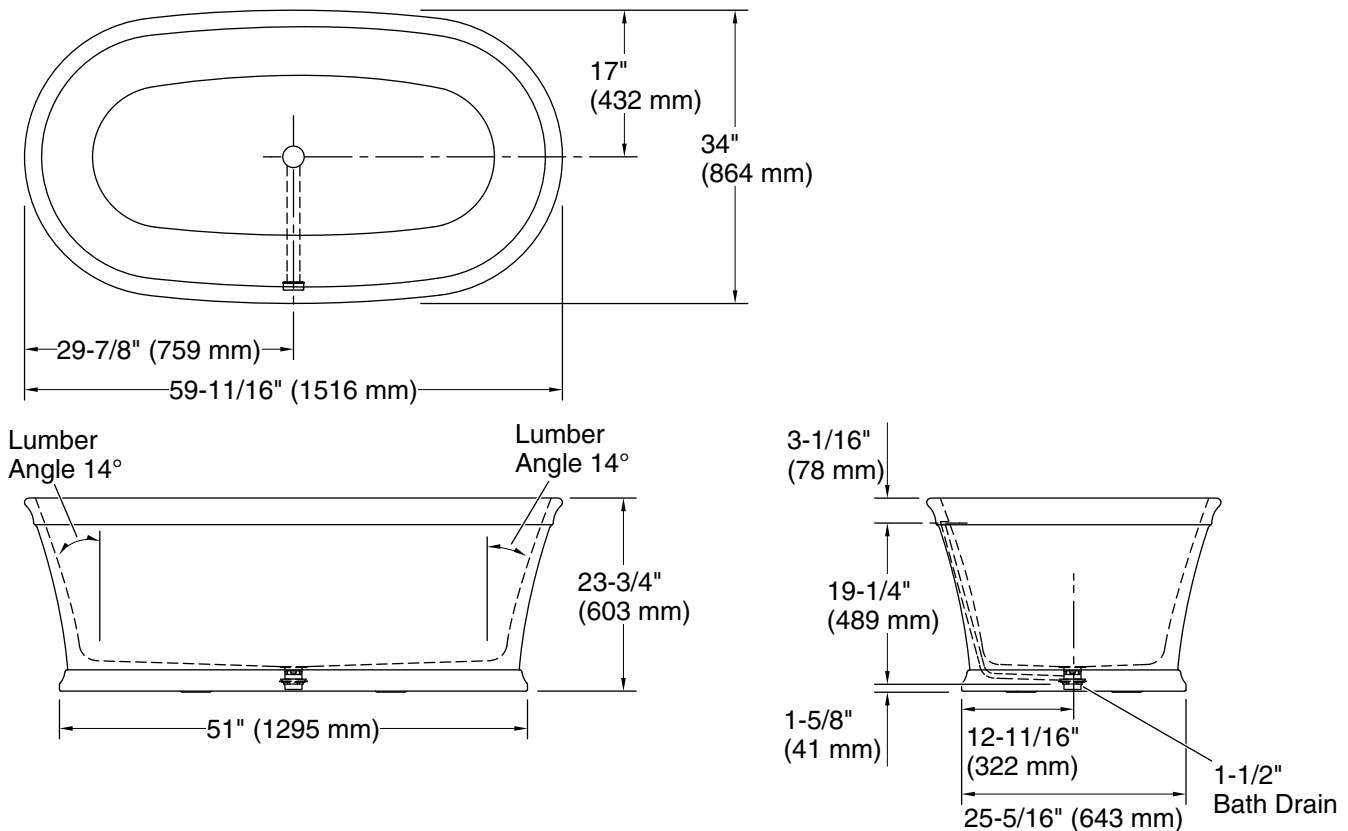
See website for detailed warranty information.

### Available Colors/Finishes

*Color tiles intended for reference only.*

Color	Code	Description
-------	------	-------------

	0	White
---	---	-------



## Technical Information

All product dimensions are nominal.

Drain location:	Center
Basin area, bottom:	46-13/16" x 21" (1189 mm x 533 mm)
Basin area, top:	59" x 33-5/16" (1499 mm x 846 mm)
Weight:	250 lbs (113.4 kg)
Water depth:	17-7/16" (443 mm)
Water capacity:	80 gal (302.8 L)
Template:	Footprint, 1303995-7, not required, not included

## Notes

Measure your actual product for rough-in details.

Install this product according to the installation instructions.

The hot water supply should be 70% of the capacity of the bath or greater. Installations will vary.

Allow for 3" (76 mm) diameter of clearance around the drain pipe on finished floor material to prevent drain body interference during installation.