

### Features

- 8" (203 mm) center
- 14-3/8" (365 mm) wall-to-spout outlet with wall brace, pail hook and pipe support
- 1/4-turn full brass ceramic valve
- 13.5 gal/min (51 l/min) flow rate at 60 psi (4.1 bar)
- 4-1/16" vandal-resistant metal wristblade lever handles
- Integral supply stops with lock key for easy and convenient access
- Drain sold separately

### Material

- Solid-brass construction with thick chrome plating for rough commercial applications

### Installation

- Eccentric inlet shanks for easy installation

### Recommended Products/Accessories

K-23723 Faucet cleaner



ADA

CSA B651

OBC

### Codes/Standards

ASME A112.18.1/CSA B125.1

ADA

ICC/ANSI A117.1

CSA B651

OBC

IAPMO Certification

### KOHLER<sup>®</sup> One-Year Limited Warranty

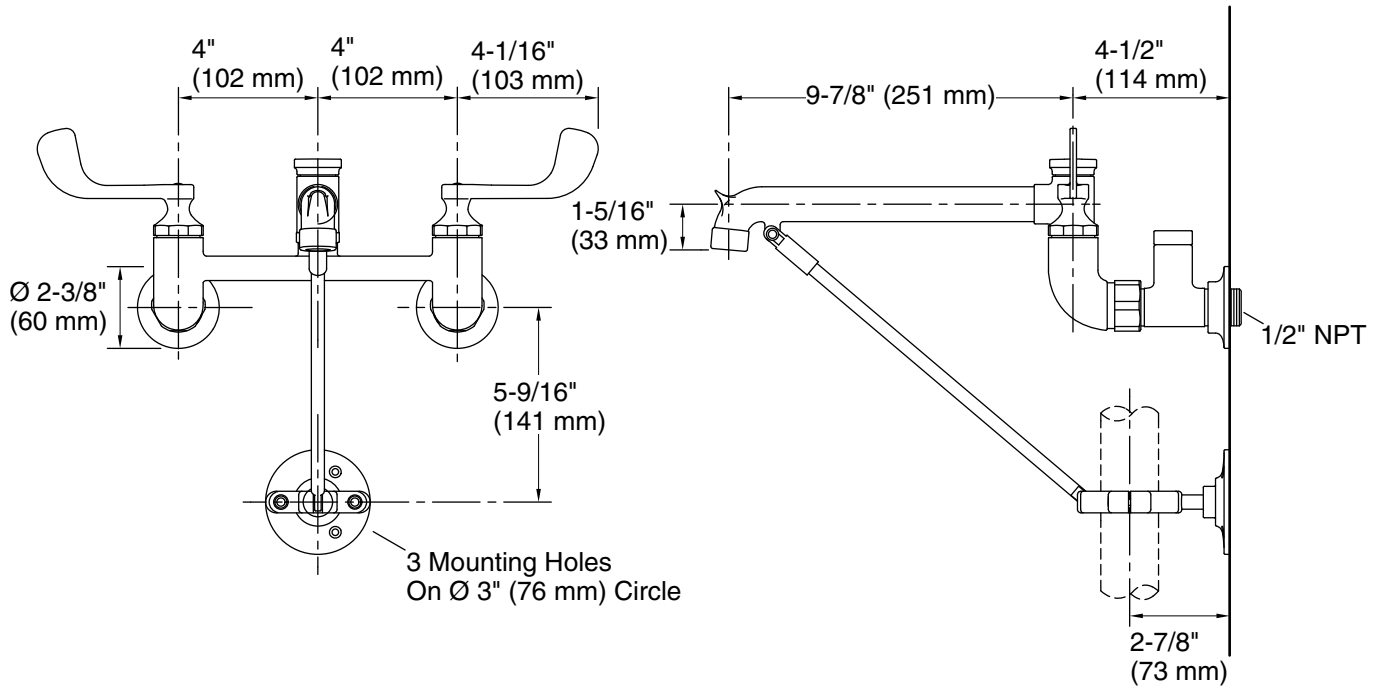
See website for detailed warranty information.

### Available Colors/Finishes

*Color tiles intended for reference only.*

#### Color Code Description

■ CP Polished Chrome



## Technical Information

All product dimensions are nominal.

### Faucet:

Flow rate: 13.5 gal/min (51.1 l/min)

Drain included: No

### Spout:

Spout reach: 14-3/8" (365 mm)

Handle clearance: 3" (76 mm)

### Handshower:

Rated maximum flow: 0 gal/min (0 l/min)

## Notes

Install this product according to the installation instructions.

ADA compliant for faucet handles only  
 ADA, OBC, CSA B651 compliant when installed to the specific requirements of these regulations.