



Kingston™ Ultra

Top spud antimicrobial flushometer bowl w/ bedpan lugs

K-84325-SSL

Features

- Elongated bowl offers added room and comfort
- Siphon jet
- 1.0 gpf (3.8 lpf), 1.1 gpf (4.2 lpf), 1.28 (4.8 lpf), or 1.6 gpf (6.0 lpf) depending on flushometer specified
- 11" x 8-1/4" (279 mm x 210 mm) water surface
- Bedpan lugs included
- Antimicrobial finish inhibits the growth of mold-, mildew-, stain-, and odor-causing bacteria on the fixture surface. This product does not protect users against bacteria, viruses, or other disease organisms. Always clean and wash this product thoroughly before and after each use
- 1-1/2" (38 mm) top spud



Material

- Vitreous china

Technology

- Improved flush for toilet seat cover removal
- Re-engineered for strong flush performance in buildings with lower water pressure or flow
- Cast-on putty plate resists breakage
- New design eliminates gas leaks, splashing and paper shredding

Installation

- Wall-mount
- This product replaces K-4325-SSL



ADA **CSA B651** **OBC**

Codes/Standards

ASME A112.19.2/CSA B45.1
 DOE - Energy Policy Act 1992
 EPA WaterSense®
 California Energy Commission (CEC)
 ADA
 ICC/ANSI A117.1
 CSA B651
 OBC
 IAPMO Certification

KOHLER® One-Year Limited Warranty

See website for detailed warranty information.

Available Colors/Finishes

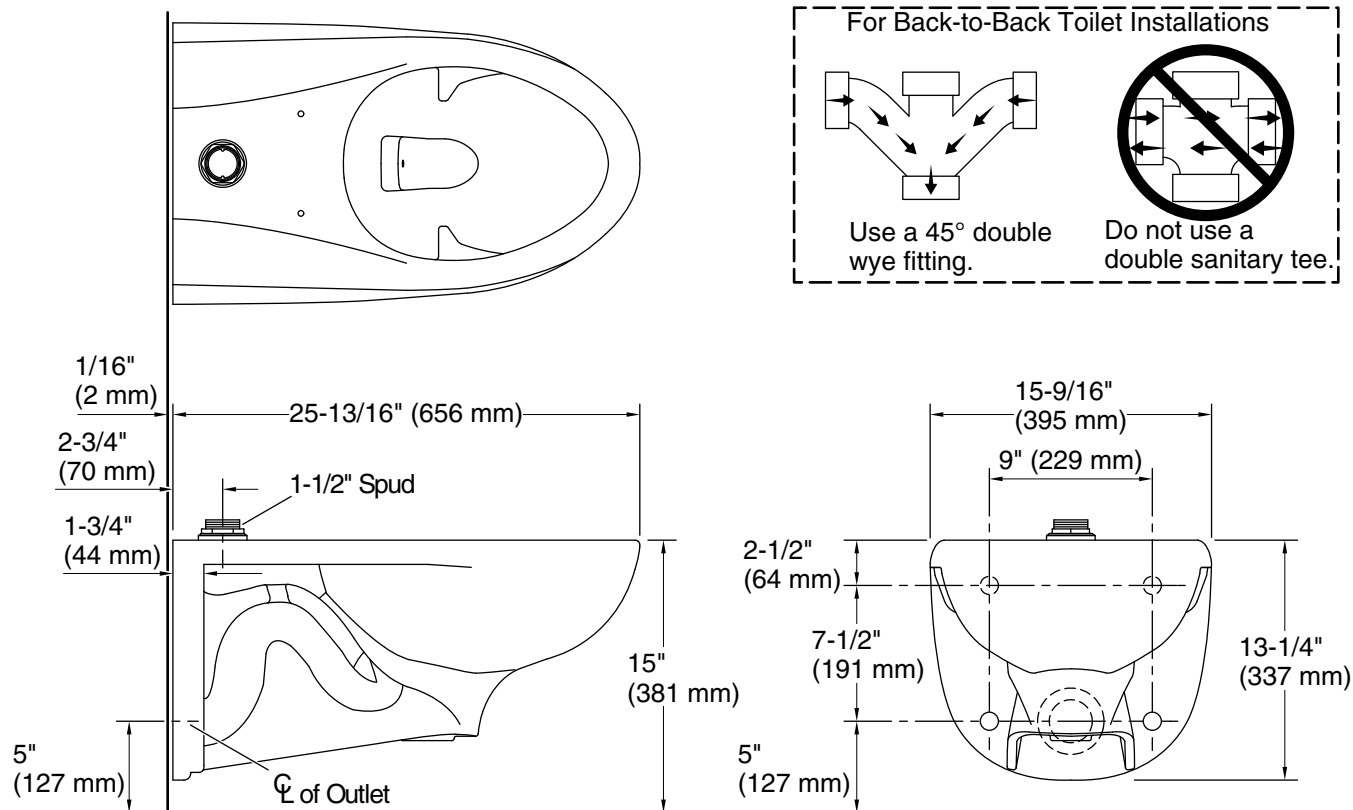
Color tiles intended for reference only.

Color Code Description

	0	White
--	---	-------



Kingston™ Ultra
 Top spud antimicrobial flushometer bowl w/ bedpan
 lugs
K-84325-SSL



Technical Information

All product dimensions are nominal.

Toilet type:	Wall-mount
Waste Outlet:	Wall
Flush type:	Flushometer valve siphon
Spud size:	1 1/2, Inlet, Top
Trap passageway:	2-1/8" (54 mm)
Water surface size:	11" x 8-1/4" (279 mm x 210 mm)
Rim to water surface:	5-13/16" (148 mm)
Seat-mounting holes:	5-1/2" (140 mm)

Fixture Supply Requirements

Min static pressure:	35 psi (241.3 kPa)
Max static pressure:	80 psi (551.6 kPa)
Min flowing pressure:	25 psi (172.4 kPa)
Min flow rate:	25 gpm (94.6 lpm)

Notes

Install this product according to the installation instructions.

For back-to-back toilet installations: Use only a 45° double wye fitting.

ADA, OBC, CSA B651 compliant when installed to the specific requirements of these regulations.

Plumbing codes may require elongated toilets and elongated, open-front seats in public bathrooms.

Accessibility standards may require controls to be located on the open side of the toilet.