

Features

- Clean lines and streamlined style add contemporary appeal to any bathroom
- 16-1/2" apron height for easy entry and exit
- Standard size simplifies installation in remodels
- Safeguard® slip-resistant surface provides excellent traction underfoot
- Wide ledges for extra storage space

Material

- KOHLER® enameled cast iron

Installation

- Right drain
- Alcove

Recommended Products/Accessories

- K-23726 Drain treatment
- K-23725 Cast iron cleaner
- K-31798 Bath drain kit



ADA

Codes/Standards

ASME A112.19.1/CSA B45.2
ASTM F462
ADA
ICC/ANSI A117.1
IAPMO Certification



KOHLER® Enameled Cast Iron Bath and Shower Base Lifetime Limited Warranty

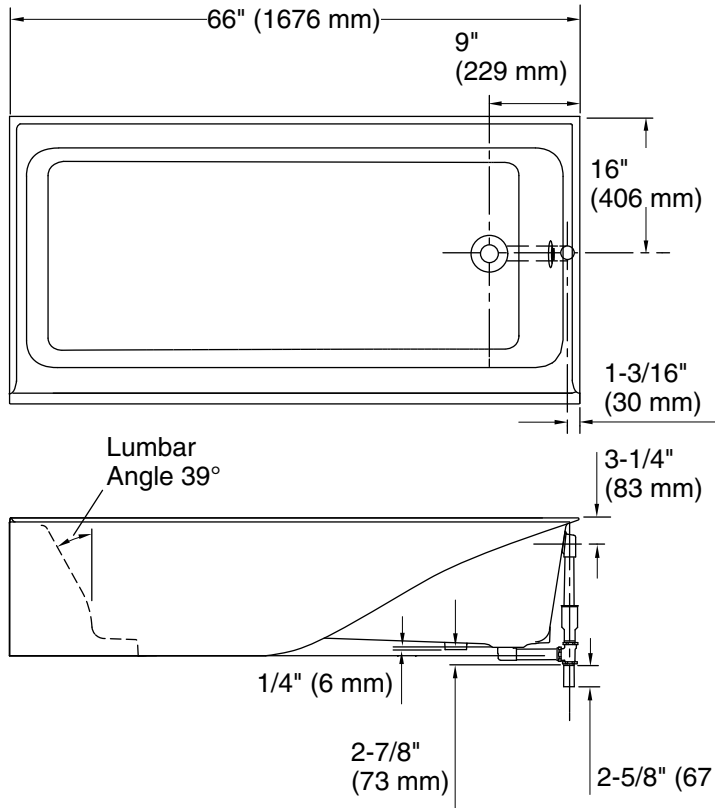
See website for detailed warranty information.

Available Colors/Finishes

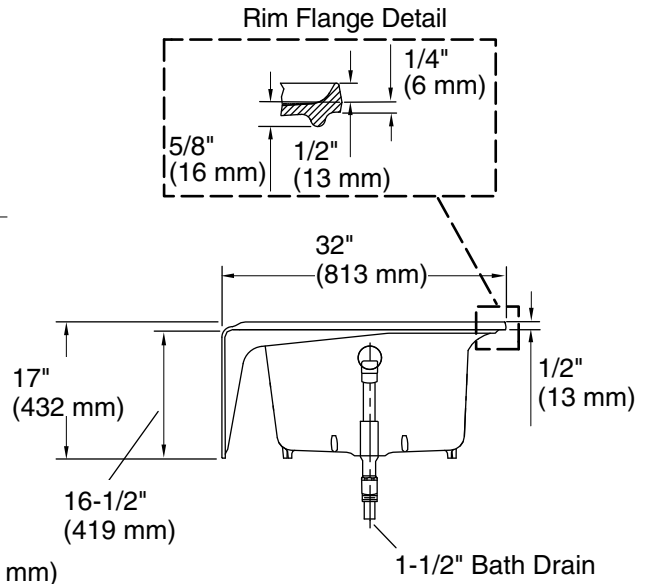
Color tiles intended for reference only.

| Color | Code | Description |
|-------|------|-------------|
|-------|------|-------------|

| | | |
|---|----|---------|
|  | 0 | White |
|  | 96 | Biscuit |



No change in measurement if connected with drain illustrated. (K-7259)



Technical Information

All product dimensions are nominal.

| | |
|------------------------|---|
| Drain location: | Right |
| Basin area, bottom: | 50-3/4" x 20-5/16" (1289 mm x 516 mm) |
| Basin area, top: | 58-7/16" x 22-5/8" (1484 mm x 575 mm) |
| Weight: | 400 lbs (181.4 kg) |
| Minimum floor load: | 57 lbs/ft ² (278.3 kg/m ²) |
| Water depth: | 11-11/16" (297 mm) |
| Water capacity: | 49 gal (185.5 L) |
| Minimum flat for door: | 2-9/16" (65 mm) |

Notes

Measure your actual product for rough-in details.

Install this product according to the installation instructions.

The hot water supply should be 70% of the capacity of the bath or greater. Installations will vary.

ADA compliant when installed to the specific requirements of these regulations.