

Features

- 44 airjets release thousands of heated bubbles that surround, support, and massage the body
- Variable-speed blower lets you adjust massage intensity to 18 levels
- Automatic and manual purge cycles remove residual water from air channels after use
- Lighted keypad control
- 60-minute automatic shutoff timer
- Safeguard® slip-resistant surface provides excellent traction underfoot
- Integral lumbar support
- Color-matched jet trim

Material

- KOHLER® enameled cast iron

Technology

- Heated BubbleMassage™ technology warms and humidifies air before it enters the bath

Installation

- Drop-in or undermount
- Reversible drain
- Requires two 120V dedicated circuits
- Requires cable pop-up bath drain and bath drain trim (sold separately)

Required Products/Accessories

K-23857 Bath drain trim

or

K-78440 33" cable pop-up bath drain

Recommended Products/Accessories

K-1172 Adjustable feet
K-1491 Bath/Whirlpool Pillow
K-1601 Bath/whirlpool footstop, removable
K-586 Under-Mount Installation Kit
K-1179 Vinyl Tiling-in Bead
K-31796 Above-the-floor bath drain kit
K-31798 Bath drain kit



Codes/Standards

ASME A112.19.7/CSA B45.10
ASME A112.19.1/CSA B45.2
ASTM F462
UL 1795
CSA C22.2 No. 218.2
IAPMO Certification
cUL Listed
UL Listed

KOHLER® Enameled Cast Iron Bath and Shower Base Lifetime Limited Warranty

See website for detailed warranty information.

Available Colors/Finishes

Color tiles intended for reference only.

Color	Code	Description
-------	------	-------------

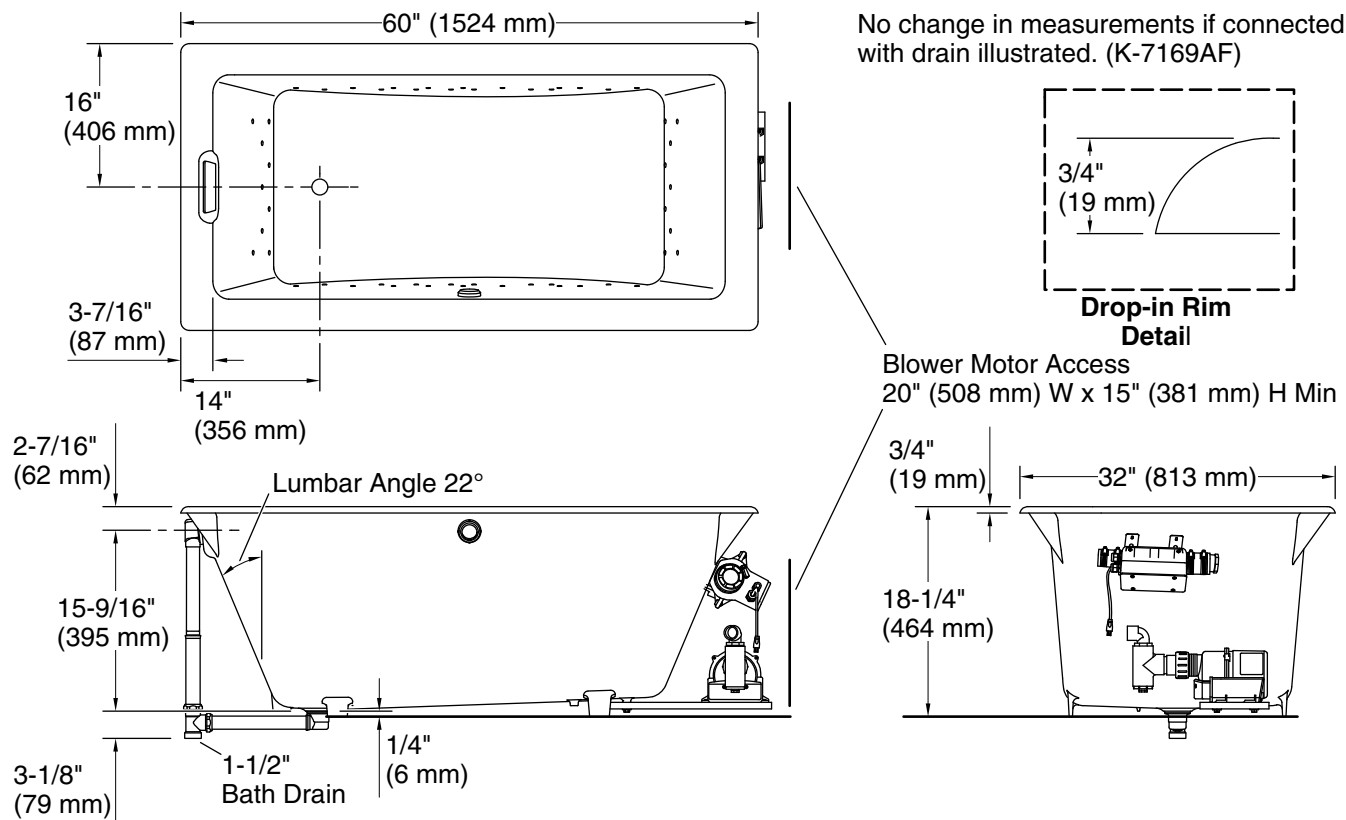
	96	Biscuit
---	----	---------



Tea-for-Two®

60" x 32" drop-in Heated BubbleMassage™ air bath

K-852-GH96



Required Electrical Service

Two dedicated circuits required, protected with Class A Ground-Fault Circuit-Interrupter (GFCI). Outside North America, this device may be known as a Residual Current Device (RCD).

Blower: 120 V, 15 A, 60 Hz
 Air bath: 120 V, 15 A, 60 Hz

Technical Information

All product dimensions are nominal.

Drain location: Reversible
 Basin area, bottom: 40-1/2" x 20" (1029 mm x 508 mm)
 Basin area, top: 52-3/4" x 24" (1340 mm x 610 mm)
 Weight: 350 lbs (158.8 kg)
 Minimum floor load: 60 lbs/ft² (292.9 kg/m²)
 Water depth: 13-5/8" (346 mm)
 Water capacity: 60 gal (227.1 L)
 Cutout: Drop-in, 58-1/2" x 30-1/2" (1486 mm x 775 mm)
 Template: K-586, required, not included
 Electrical component rating: Blower: 120 V, 10 A, 60 Hz
 Air bath: 120 V, 5 A, 60 Hz

Notes

Measure your actual product for rough-in details.
 Install this product according to the installation instructions.
 The hot water supply should be 70% of the capacity of the bath or greater. Installations will vary.

1-800-4KOHLER (1-800-456-4537)

Kohler Co. reserves the right to make revisions without notice to product specifications.

For the most current Specification Sheet, go to www.kohler.com USA or www.kohler.ca Canada

7-10-2024 00:09 - US

