

### Features

- 44 airjets release thousands of heated bubbles that surround, support, and massage the body
- Variable-speed blower lets you adjust massage intensity to 18 levels
- Automatic and manual purge cycles remove residual water from air channels after use
- Spacious design accommodates up to two bathers
- Lighted keypad control
- 60-minute automatic shutoff timer
- Safeguard® slip-resistant surface provides excellent traction underfoot
- Integral lumbar support

### Material

- KOHLER® enameled cast iron

### Technology

- Heated BubbleMassage™ technology warms and humidifies air before it enters the bath

### Installation

- Drop-in or undermount
- Reversible drain
- 120 V electrical requirement allows for easy installation with standard outlet
- Requires two dedicated circuits
- Requires cable pop-up bath drain and bath drain trim (sold separately)

### Required Products/Accessories

K-23857 Bath drain trim

or

K-78440 33" cable pop-up bath drain

### Recommended Products/Accessories

K-587 Under-Mount Installation Kit

K-1179 Vinyl Tiling-in Bead

K-31798 Bath drain kit



### Codes/Standards

ASME A112.19.7/CSA B45.10

ASME A112.19.1/CSA B45.2

ASTM F462

UL 1795

CSA C22.2 No. 218.2

IAPMO Certification

cUL Listed

UL Listed

### KOHLER® Enameled Cast Iron Bath and Shower Base Lifetime Limited Warranty KOHLER® Hydrotherapy Components Five-Year Limited Warranty

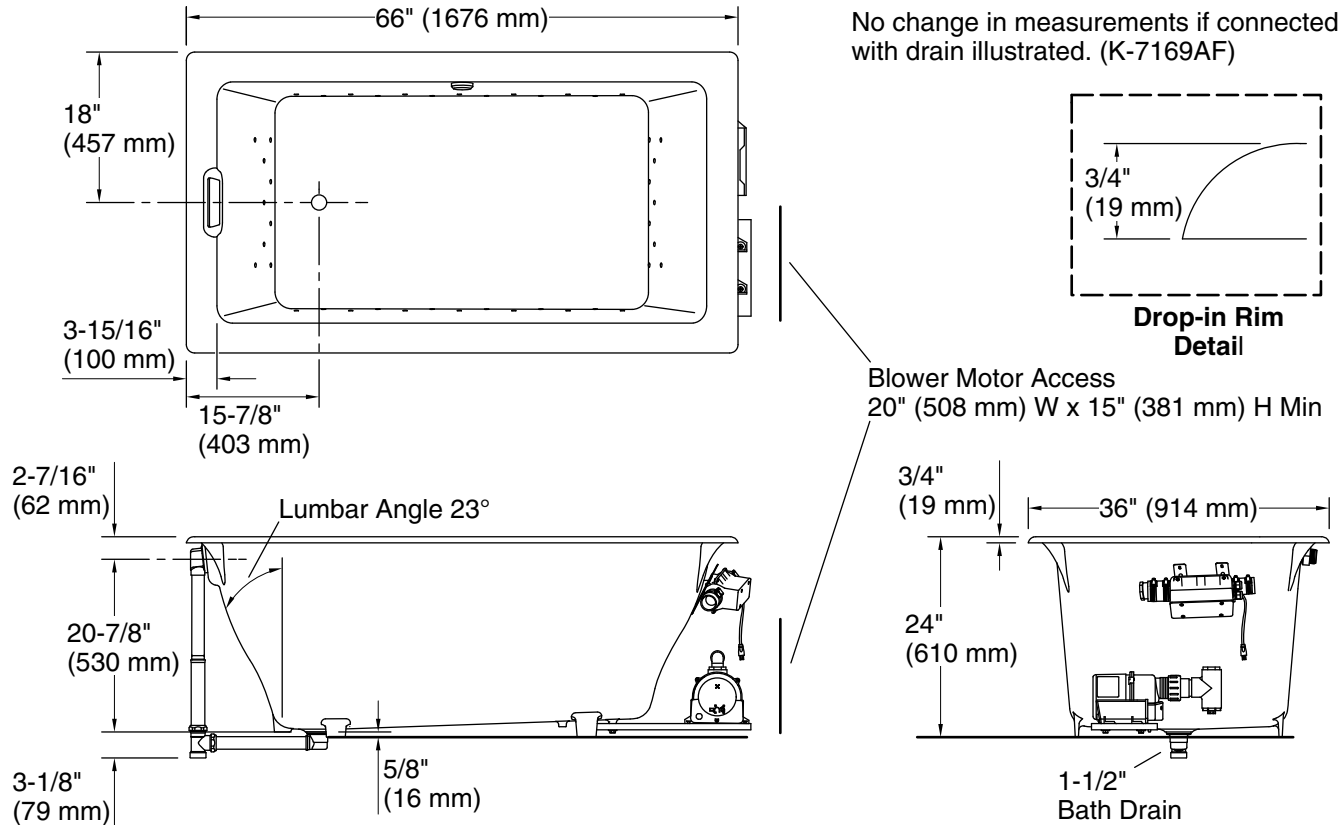
See website for detailed warranty information.

### Available Colors/Finishes

*Color tiles intended for reference only.*

Color	Code	Description
-------	------	-------------

	96	Biscuit
---	----	---------



### Required Electrical Service

Two dedicated circuits required, protected with Class A Ground-Fault Circuit-Interrupter (GFCI). Outside North America, this device may be known as a Residual Current Device (RCD).

Blower: 120 V, 15 A, 60 Hz  
Air bath: 120 V, 15 A, 60 Hz

### Technical Information

All product dimensions are nominal.

Drain location: Reversible  
Basin area, bottom: 45" x 25" (1143 mm x 635 mm)  
Basin area, top: 58" x 29" (1473 mm x 737 mm)  
Weight: 510 lbs (231.3 kg)  
Minimum floor load: 86 lbs/ft<sup>2</sup> (419.9 kg/m<sup>2</sup>)  
Water depth: 19-1/2" (495 mm)  
Water capacity: 105 gal (397.5 L)  
Cutout: Drop-in, 64-1/2" x 34-1/2" (1638 mm x 876 mm)  
Template: K-587, not required, not included  
Electrical component rating: Blower: 120 V, 10 A, 60 Hz  
Air bath: 120 V, 5 A, 60 Hz

### Notes

Measure your actual product for rough-in details.

Install this product according to the installation instructions.

The hot water supply should be 70% of the capacity of the bath or greater. Installations will vary.