

### Features

- Six Proflex® hydromassage jets can be individually adjusted for water flow and direction
- Built-in heater
- Spacious design accommodates up to two bathers
- Integral lumbar support
- Multiple pump location options give you more choices for installation and access
- Textured bottom surface
- Single-speed whirlpool offers performance and value, with six fully adjustable jets

### Material

- KOHLER® enameled cast iron

### Installation

- Drop-in or undermount
- Reversible drain

### Required Products/Accessories

K-9696 Whirlpool 6-Jet Trim Kit

or

K-23857 Bath drain trim

or

K-78440 33" cable pop-up bath drain

### Recommended Products/Accessories

K-1179 Vinyl Tiling-in Bead

K-1172 Adjustable feet

K-1491 Bath/Whirlpool Pillow

K-1601 Bath/whirlpool footstop, removable

K-23726 Drain treatment

K-23725 Cast iron cleaner

K-582 Under-Mount Installation Kit

K-31796 Above-the-floor bath drain kit

K-31798 Bath drain kit



ADA

### Codes/Standards

ASME A112.19.1/CSA B45.2

ASME A112.19.7/CSA B45.10

ASTM F462

UL 1795

CSA C22.2 No. 218.2

ADA

ICC/ANSI A117.1

IAPMO Certification

cUL Listed





UL Listed

**KOHLER® Hydrotherapy  
Components Five-Year Limited  
Warranty KOHLER® Enameled Cast  
Iron Bath and Shower Base Lifetime  
Limited Warranty**

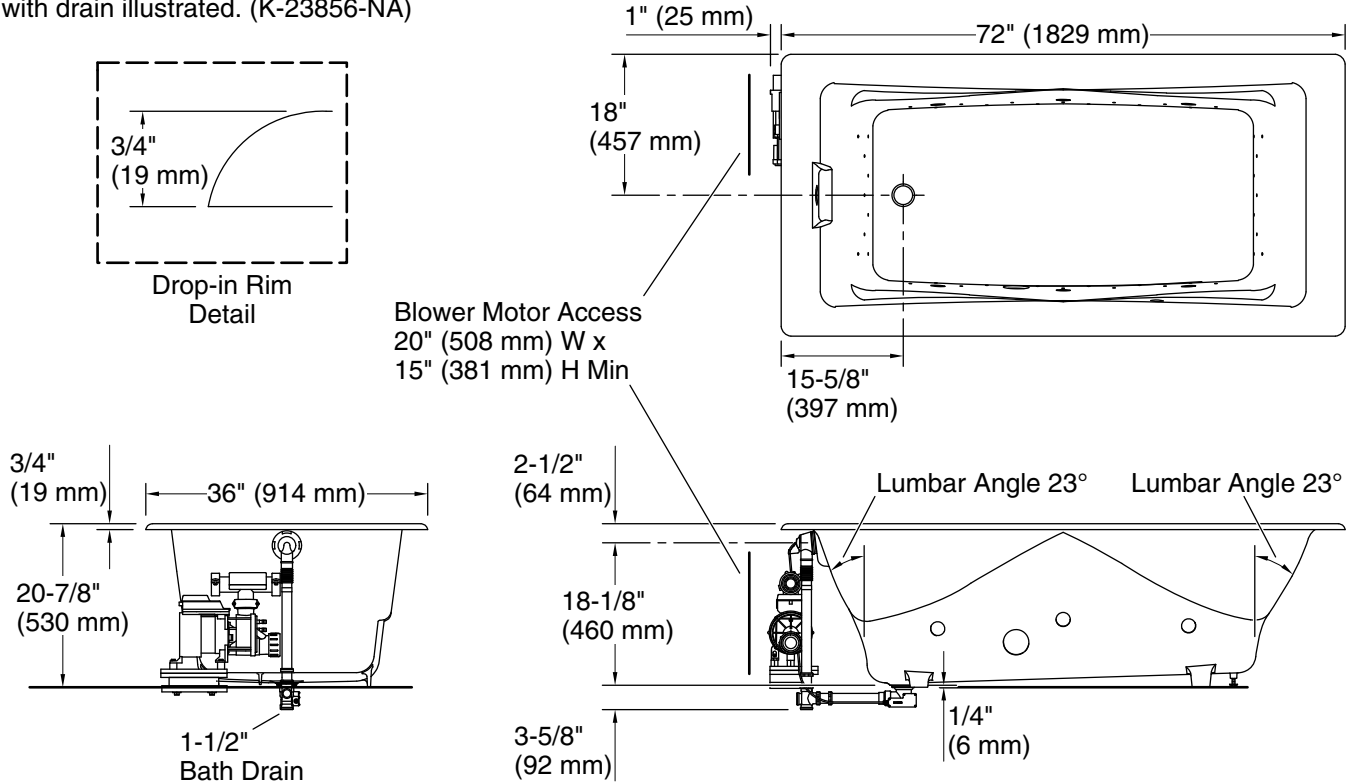
See website for detailed warranty information.

### Available Colors/Finishes

*Color tiles intended for reference only.*

Color	Code	Description
	0	White
	96	Biscuit
	NY	Dune
	7	Black Black™

No change in measurements if connected with drain illustrated. (K-23856-NA)



### Required Electrical Service

Two dedicated circuits required, protected with Class A Ground-Fault Circuit-Interrupter (GFCI). Outside North America, this device may be known as a Residual Current Device (RCD).

Pump: 120 V, 15 A, 60 Hz  
Heater: 120 V, 15 A, 60 Hz

### Technical Information

All product dimensions are nominal.

Drain location: Reversible  
Basin area, bottom: 49" x 22" (1245 mm x 559 mm)  
Basin area, top: 62" x 28" (1575 mm x 711 mm)  
Weight: 455 lbs (206.4 kg)  
Minimum floor load: 69 lbs/ft<sup>2</sup> (336.9 kg/m<sup>2</sup>)  
Water depth: 17" (432 mm)  
Water capacity: 89 gal (336.9 L)  
Cutout: Drop-in, 70-1/4" x 34-1/2" (1784 mm x 876 mm)  
Electrical component rating: Pump: 120 V, 7 A, 60 Hz  
Heater: 120 V, 12 A, 60 Hz

Pump speed: Single

1-800-4KOHLER (1-800-456-4537)

Kohler Co. reserves the right to make revisions without notice to product specifications.

For the most current Specification Sheet, go to [www.kohler.com](http://www.kohler.com) USA or [www.kohler.ca](http://www.kohler.ca) Canada

7-9-2024 23:51 - US

### Notes

Measure your actual product for rough-in details.

Install this product according to the installation instructions.

The hot water supply should be 70% of the capacity of the bath or greater. Installations will vary.

ADA compliant when installed to the specific requirements of these regulations.