

## Features

- 33" (838 mm) minimum base cabinet width
- Large/medium bowls
- 9" (229 mm) depth provides generous workspace
- Three faucet holes
- Bowl slopes toward drain to minimize water pooling
- Offset drains increase workspace in the sink and storage space underneath
- Includes K-6239 colander with integral cutting board and K-9234 left-hand bottom sink rack

## Material

- KOHLER® enameled cast iron

## Installation

- Top-mount

## Recommended Products/Accessories

- K-9234 Left-Bowl Sink Rack
- K-8801 Sink drain and strainer with tailpiece
- K-8799 Sink drain and strainer basket
- K-23726 Drain treatment
- K-23725 Cast iron cleaner

## Optional Products/Accessories

- K-11352 Disposal Flange with Stopper
- K-9000 P-Trap

## Included Components

- K-6239 Colander with Cutting Board
- K-9234 Left-Bowl Sink Rack



## Codes/Standards




ASME A112.19.1/CSA B45.2  
IAPMO Certification

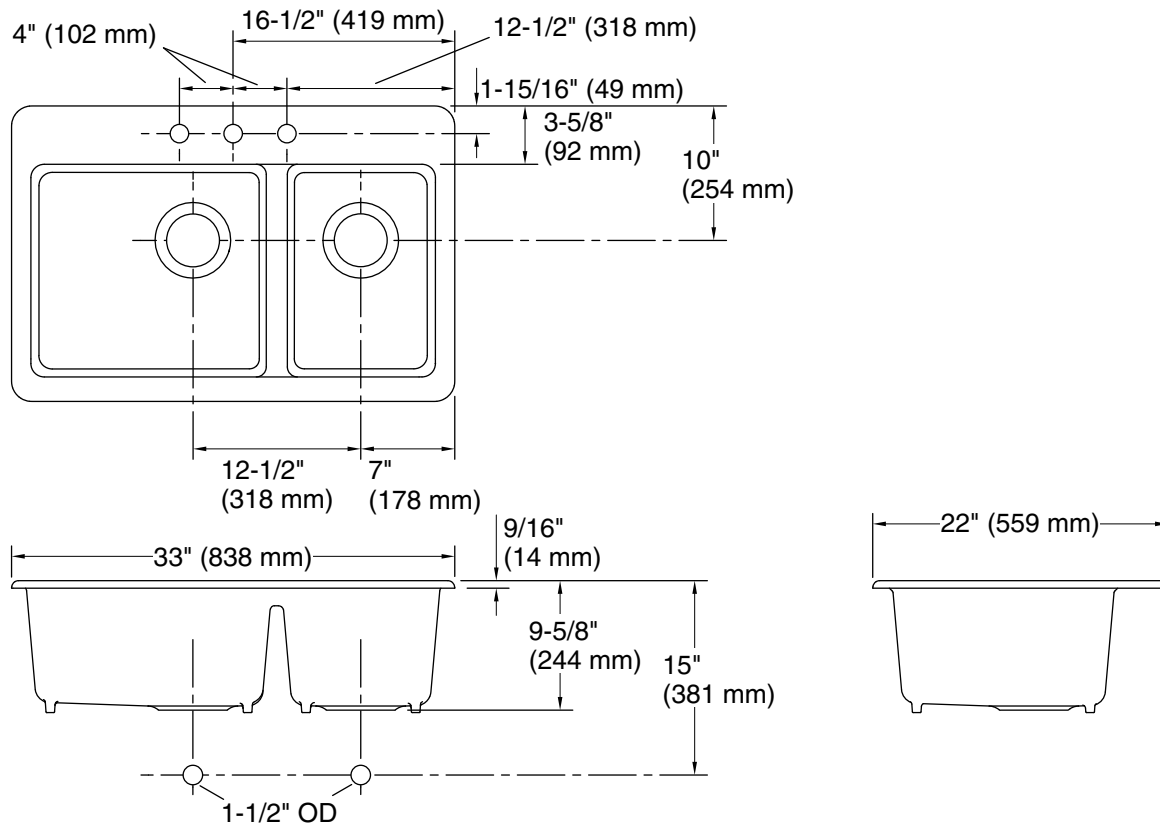
## KOHLER® Enameled Cast Iron Kitchen and Bathroom Sink Lifetime Limited Warranty

See website for detailed warranty information.

## Available Colors/Finishes

*Color tiles intended for reference only.*

Color	Code	Description
	0	White
	96	Biscuit
	7	Black Black™



## Technical Information

All product dimensions are nominal.

Basin configuration: Large Bowl on Left

Min. base cabinet width: 33" (838 mm)

Bowl area (Basin #1):  
 Length: 17-9/16" (446 mm)  
 Width: 15-13/16" (402 mm)  
 Bowl depth: 9" (229 mm)  
 Water depth: 9" (229 mm)

Bowl area (Basin #2):  
 Length: 11-1/16" (281 mm)  
 Width: 15-13/16" (402 mm)  
 Bowl depth: 9" (229 mm)  
 Water depth: 9" (229 mm)

Number of deck holes: 3

Template: 1166727-7, required, included

## Notes

Install this product according to the installation instructions.